

WWW



CE

APPLICATION

AFH fans are used in ventilation installations, where the fan is connected to air ducts at the inlet and outlet. The electrical motor mounted in a special chamber is completely separated from the stream of transported air. AFH fans are suitable for use in ventilation systems that require high temperature of transported air, ventilating hoods over furnaces.

CONSTRUCTION

Axial fan with direct drive designed for duct mounting in the horizontal position. The housing is made of welded steel sheet covered with powder paint. The rotor is made of aluminium and dynamically balanced, according to ISO 1940-1. The fans are designed for use within the temperature range -30°C to $+200^{\circ}\text{C}$. On request, we could supply the equipment tailored to individual customer needs, including: provided with non-standard housing (adjusted length or diameter, made of stainless or galvanized steel). The fans can be supplied in any colour from the RAL palette (RAL 7042 - grey is the standard colour). Fans with a diameter above 1000 mm individually selected to the specified working point.

MOTOR

Asynchronous, three-phase 230/400V, 50Hz and 400/690V, 50Hz (depending on the fan model and engine power). Insulation class F, degree of protection IP 55. The motors are made in accordance with EC 60072 and 60034 standards. On request, we can deliver motor provided with an independent cooling system and/or with sensors.

Electrical wiring diagram: fig. 7, 8, on page 925.

DESIGNATION

AF	H	/	4	-	400	-	037	T
1	2	3	4	5	6			

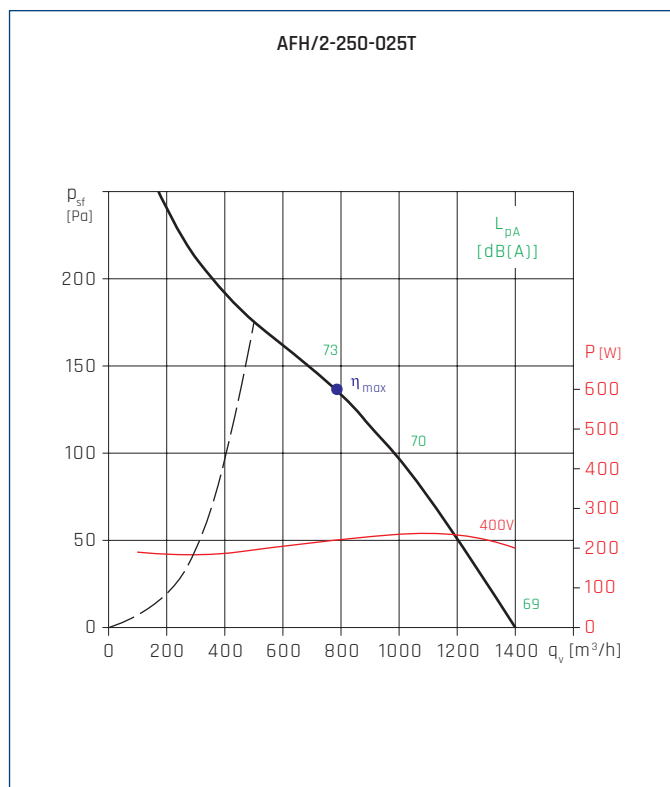
1. Name
2. Model
3. Number of poles
 - 2 - 2800 rpm - 50 Hz
 - 4 - 1400 rpm - 50 Hz
 - 6 - 900 rpm - 50 Hz
4. Nominal diameter of impeller [mm]
5. Motor power factor
 - 037 - $0,37 \times 10 = 370 \text{ W}$
6. Electrical supply
 - T - three-phase

TECHNICAL CHARACTERISTICS

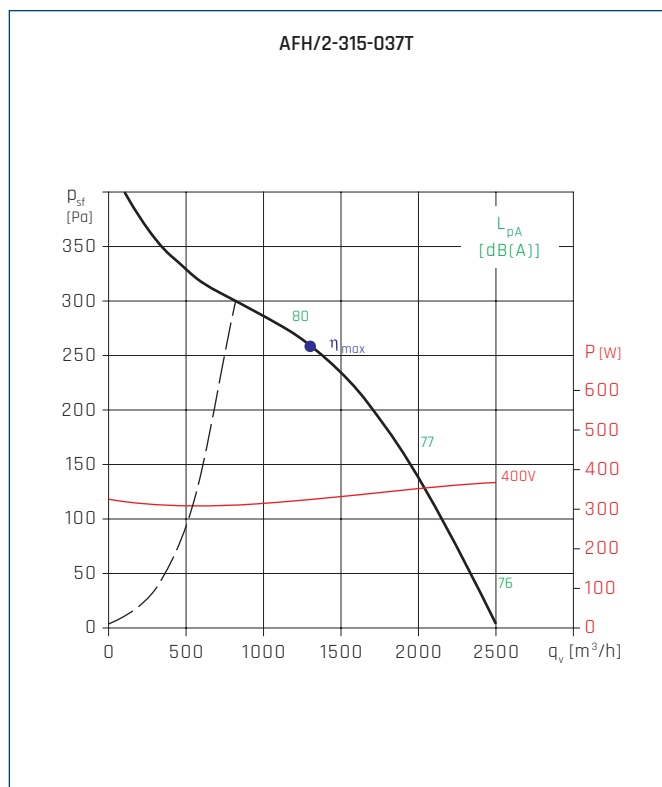
Type	number of poles	speed	maximum absorbed power	maximum absorbed current		airflow	sound pressure level*	weight	article number
		[r.p.m.]	[kW]	[A]		[m ³ /h]	[dB(A)]	[kg]	
AFH/2-250-025T	2	2780	0,25	1,1	0,65	1400	73	20	43514450
AFH/2-315-037T		2800	0,37	1,75	1,0	2500	80	21,5	43514470
AFH/2-400-110T		2840	1,1	3,8	2,2	7000	86	42,5	432514520
AFH/2-450-300T		2880	3,0	-	5,3	7100	86	58,6	432514540
AFH/2-500-300T		2880	3,0	-	2,2	8000	95	66	432514551
AFH/4-400-037T	4	1400	0,37	1,55	0,9	4000	72	39	43514530
AFH/4-500-075T		1430	0,75	3,6	2,1	7100	80	72	432514550
AFH/4-630-110T		1430	1,1	-	2,5	11000	85	99	432514560
AFH/4-710-400T		1450	4,0	-	8,4	15500	90	150	432514570
AFH/6-800-110T	6	960	1,1	-	4,4	15500	71	135	432514600
AFH/6-1000-110T		960	1,1	-	4,4	23000	82	211	432514610

* - sound pressure level measured at 1,5 m

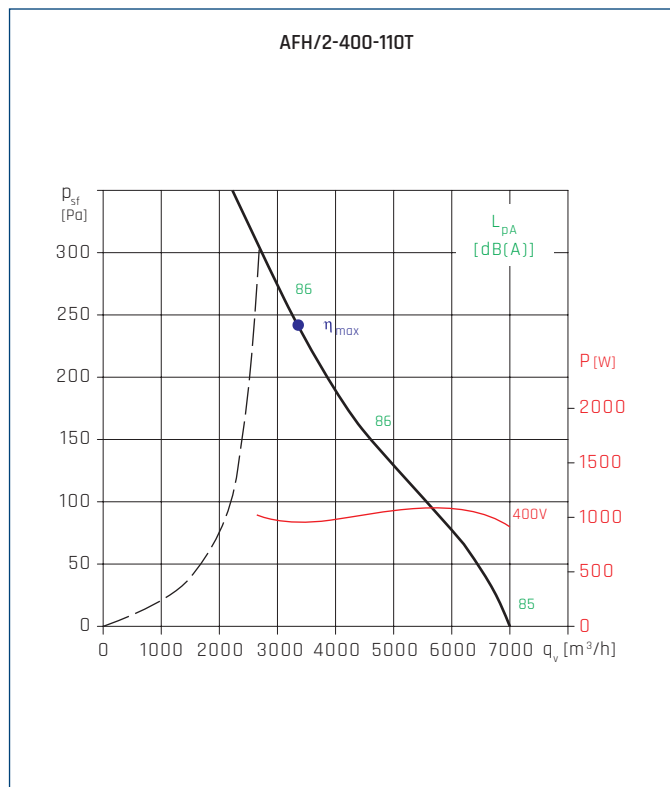
PERFORMANCE CURVES



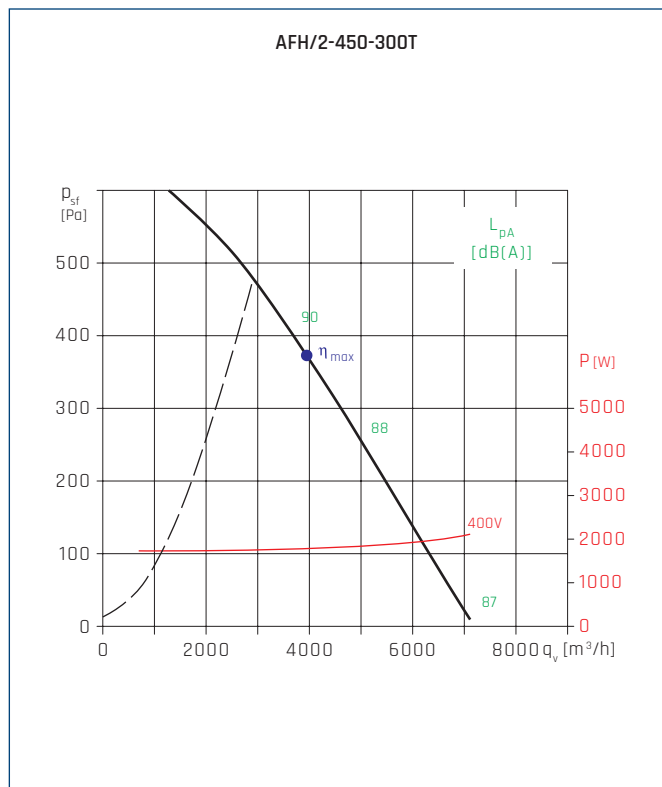
● - highest efficiency point.



● - highest efficiency point.

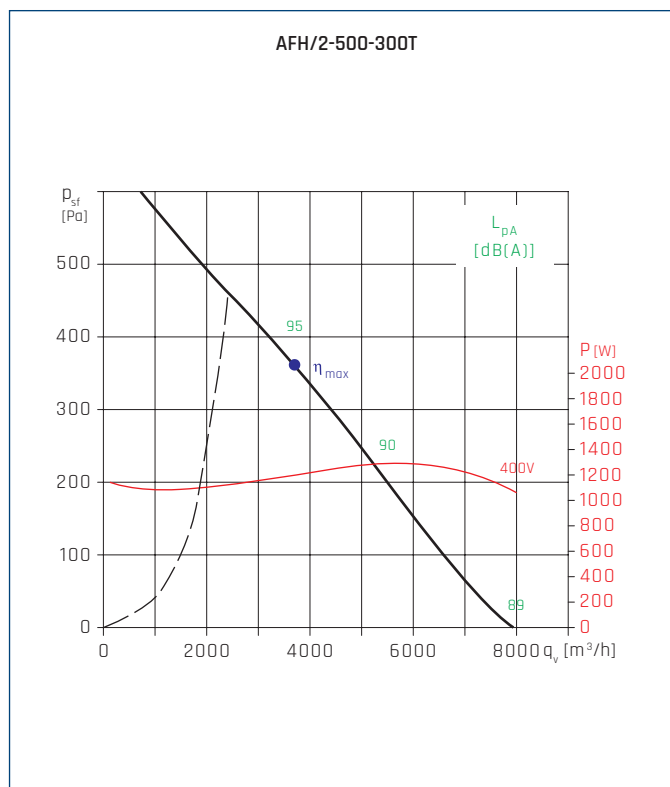


● - highest efficiency point.

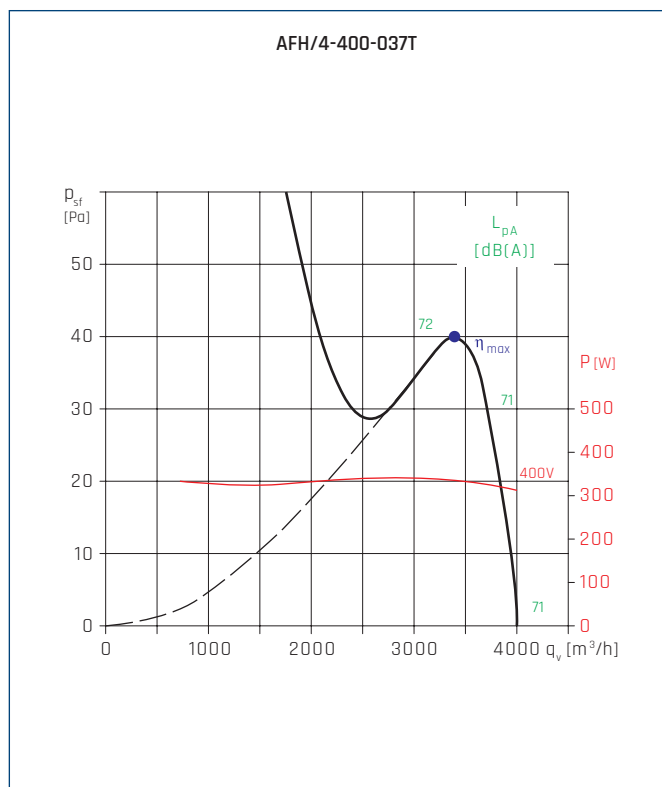


● - highest efficiency point.

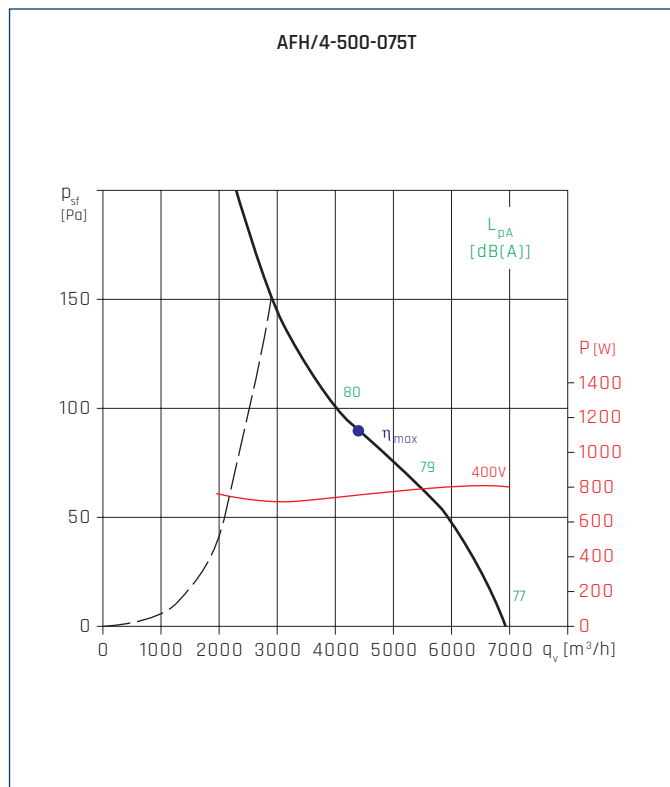
PERFORMANCE CURVES



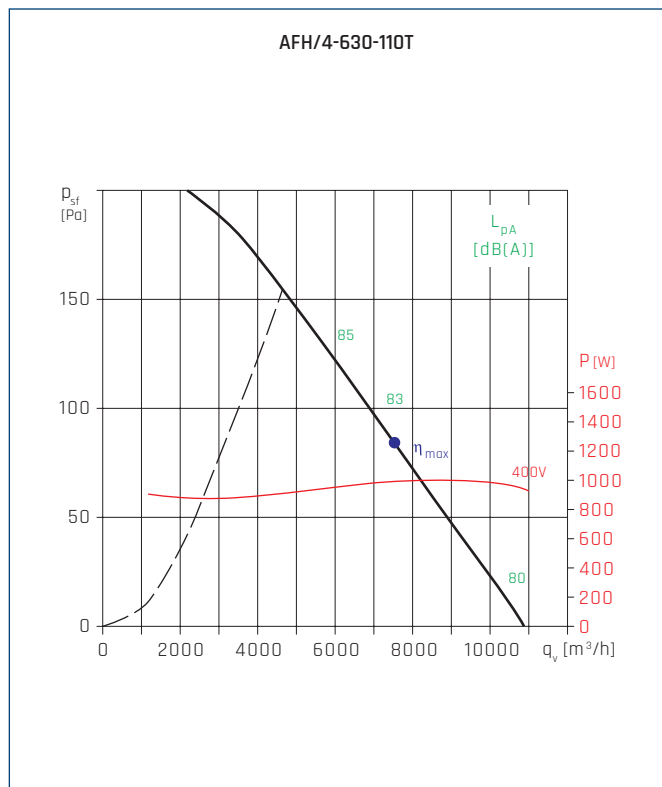
● - highest efficiency point.



● - highest efficiency point.

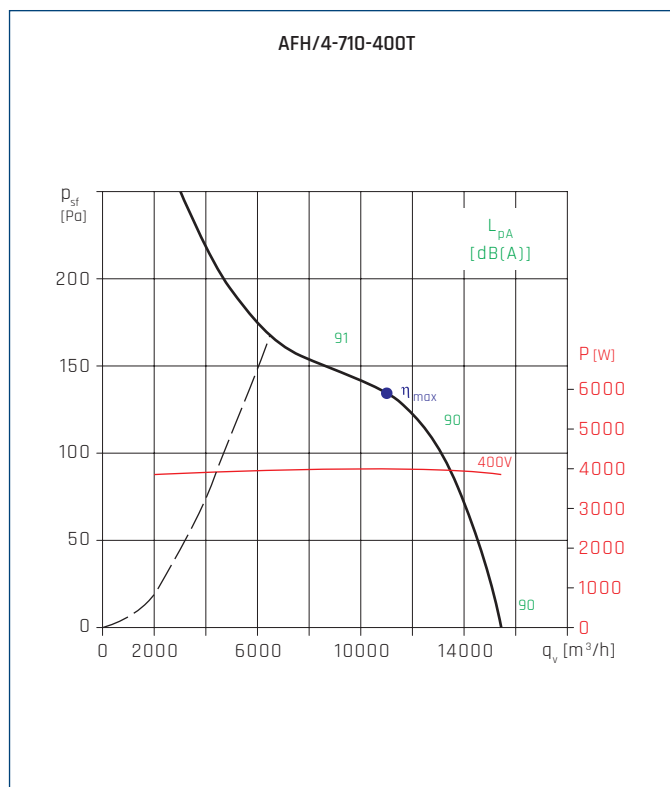


● - highest efficiency point.

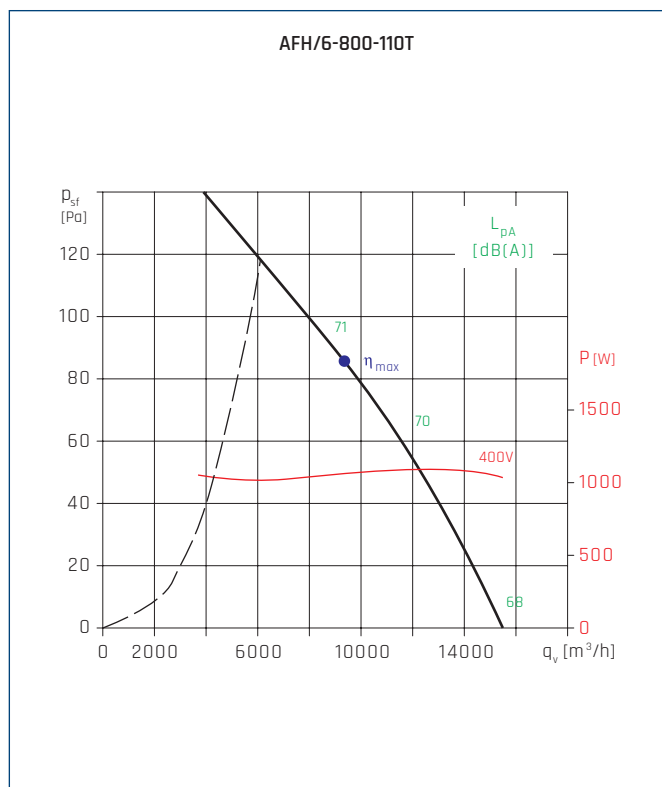


● - highest efficiency point.

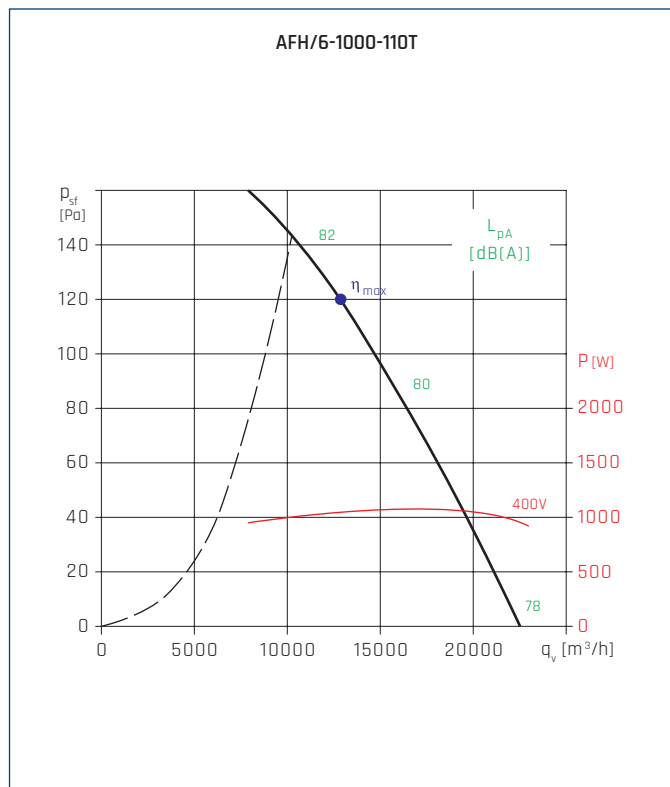
PERFORMANCE CURVES



● - highest efficiency point.

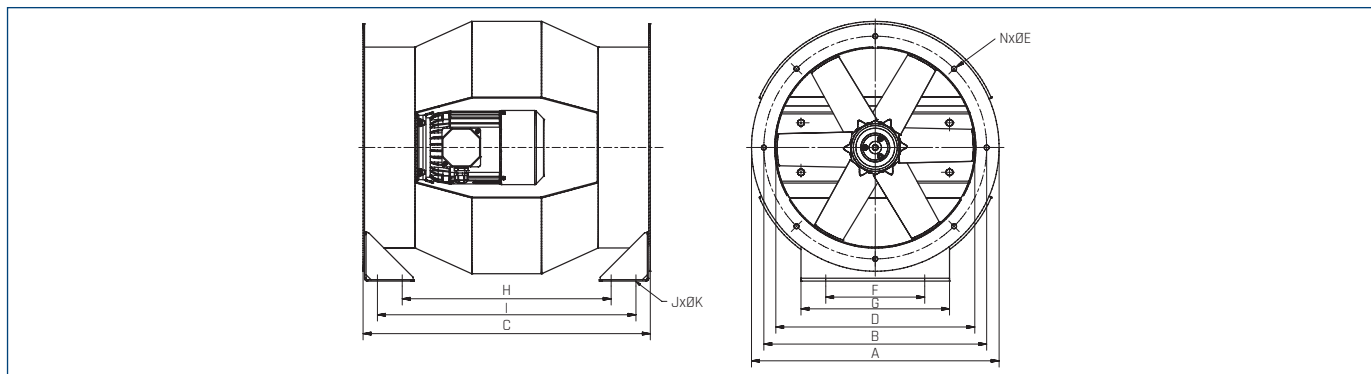


● - highest efficiency point.



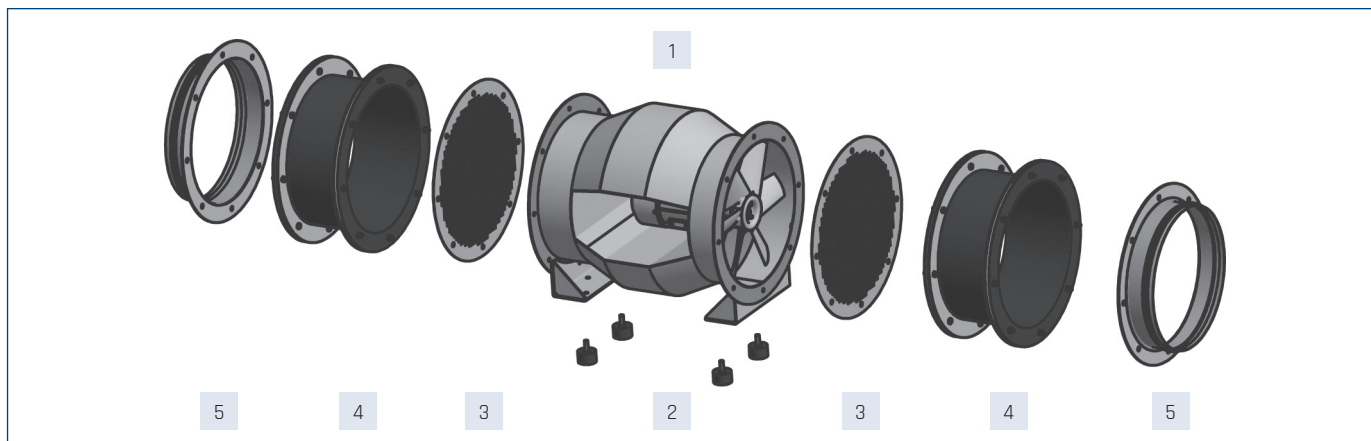
● - highest efficiency point.

DIMENSIONS [mm]



Type	ØA	ØB	C	ØD	ØE	N	F	G	H	I	J	ØK
250	310	280	500	250	8	8	200	240	430	460	6	8
315	375	345	500	315	8	8	200	240	430	460	6	8
400	500	450	580	400	10	8	200	300	422	522	6	10
450	555	500	640	450	10	8	340	400	452	572	6	12,5
500	606	556	730	500	10	8	280	450	542	662	6	12,5
630	736	690	730	630	12	12	340	400	542	662	6	12,5
710	816	766	774	710	10	12	550	430	542	712	6	12,5
800	906	856	830	800	10	12	370	470	612	702	6	12,5
1000	1106	1056	1270	1000	10	12	550	650	-	1150	4	15

ACCESSORY ASSEMBLY



1	2	3	4	5	6
Fan	vibro-isolator	wire guard	flexible connector	matching flange	backdraft shutter
250	26040960	42518100	42519906	42517100	42516500
315	26040960	42518110	42519908	42517110	42516504
400	26040960	42518130	42519910	42517130	42516512
450	41021390	42518140	42519912	42517140	42516516
500	41021390	42518150	42519914	42517150	42516520
560	41021390	42518160	42519916	42517160	42516524
630	41021390	42518170	42519918	42517170	42516528
710	41021390	42518180	42519920	42517180	42516532
800	41021390	42518190	42519922	42517190	42516540
1000	26040965	42518210	42519924	42517210	42516556

