

### APPLICATION

EBA fans comply with the requirements of ATEX Directive 2014/34/UE, are designed for use in hazard zones excluding mines and mining pits, meets the requirements of group II category 2G/3G - zone 1 and/or 2 and category 2D/3D - zone 21 and/or 22.

### ATEX marking:

II 2G Ex h IIB+H<sub>2</sub> T3 Gb lub II 2D Ex h IIIC T125°C Db  
II 2G Ex h IIB+H<sub>2</sub> T4 Gb on request.

### CONSTRUCTION

- medium-pressure centrifugal fan with direct drive,
- aluminium sheet impeller with forward curved blades, dynamically balanced according to ISO 1940-1,
- the housing is cast with aluminium alloy,
- galvanized protective mesh at the inlet and outlet,
- model 600 is equipped with a motor support,
- painted in RAL 9005,
- maximum temperature of the transported medium is 60°C,
- ambient temperature range from -20°C do +40°C,
- figure LG270.

### MOTOR

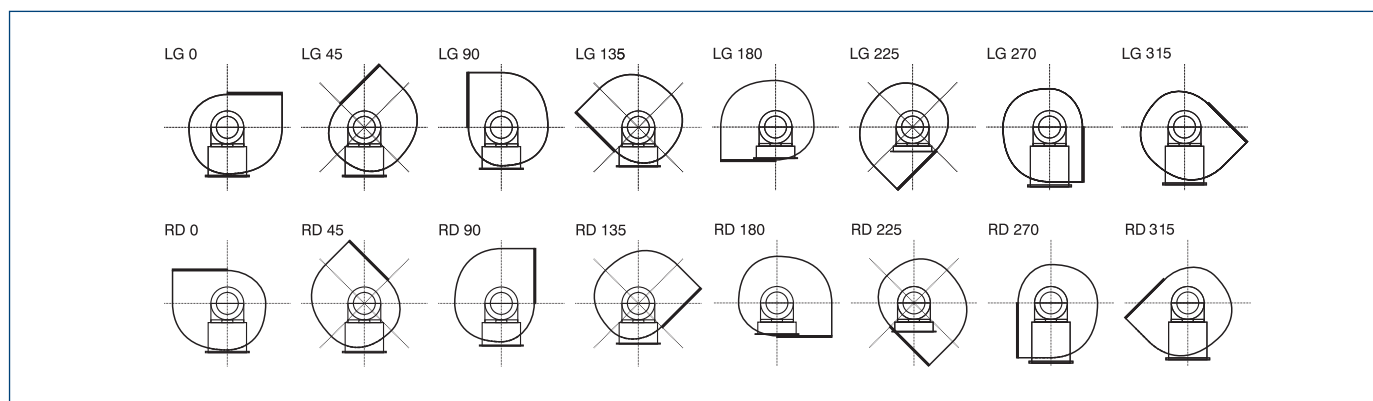
- explosionproof, asynchronous, three-phase, 230/400V 50Hz,
- 400/690V 50Hz, (depending on the model),
- degree of protection IP55 (fans of 2G category),
- degree of protection IP65 or IP66 (fans of 2D category, depending on the model),
- degree of protection IP66 (fans of 2G and 2D category suitable for frequency regulation),
- insulation class F,
- thermal protection PTC,
- VFD models suitable for frequency regulation.

### ON REQUEST

- optional position LG/RD,
- painting in a different colour,
- different motor degree of protection,
- different motor speed.



### FIGURES



TECHNICAL CHARACTERISTICS

Type	airflow max	pressure max	speed	current max abs. (400V)	motor power	sound pressure level*	temperature operating min   max		weight	article number
	[m³/h]	[Pa]	[rpm]	[A]	[kW]	[dB(A)]	[°C]		[kg]	
<b>II 2G Ex h IIB+H<sub>2</sub> T3 Gb</b>										
EBA-2-20-012T	310	970	2750	0,4	0,12	67	-20	40	8,6	425519050
EBA-2-20-012T VFD	310	970	2800	0,48	0,12	67	-20	50	10,2	425519060
EBA-2-25-018T	410	1230	2820	0,6	0,18	70	-20	40	13,4	425519000
EBA-2-25-018T VFD	410	1230	2800	0,58	0,18	70	-20	50	14,5	425519010
EBA-2-30-025T	710	1240	2870	0,9	0,25	70	-20	40	14,8	425519100
EBA-2-30-025T VFD	710	1240	2830	0,75	0,25	70	-20	50	15,0	425519110
EBA-2-40-037T	660	1820	2870	0,95	0,37	73	-20	40	17,8	425519250
EBA-2-40-037T VFD	660	1820	2890	1,13	0,37	73	-20	50	19,3	425519260
EBA-2-40-055T	1040	1820	2850	1,3	0,55	73	-20	40	19,6	425519200
EBA-2-40-055T VFD	1040	1820	2890	1,49	0,55	73	-20	50	19,3	425519210
EBA-2-70-055T	820	2340	2850	1,3	0,55	75	-20	40	23,5	425519380
EBA-2-70-055T VFD	820	2340	2890	1,49	0,55	75	-20	50	23,2	425519390
EBA-2-75-055T	750	2490	2850	1,3	0,55	75	-20	40	23,9	425519300
EBA-2-75-055T VFD	750	2490	2890	1,49	0,55	75	-20	50	23,6	425519310
EBA-2-75-075T	1100	2490	2890	1,8	0,75	75	-20	40	25,7	435519360
EBA-2-75-075T VFD	1100	2490	2885	1,59	0,75	75	-20	50	27,2	435519370
EBA-2-110-075T	860	2490	2890	1,8	0,75	78	-20	40	25,2	435519400
EBA-2-110-075T VFD	860	2490	2885	1,59	0,75	78	-20	50	26,7	435519410
EBA-2-110-110T	1240	2490	2900	2,5	1,1	78	-20	40	27,5	435519450
EBA-2-110-110T VFD	1240	2490	2870	2,5	1,1	78	-20	50	27,7	435519460
EBA-2-220-150T	2290	3230	2925	3	1,5	79	-20	40	46,3	435519500
EBA-2-220-150T VFD	2290	3230	2885	3,16	1,5	79	-20	50	45,6	435519510
EBA-2-300-150T	1460	3500	2925	3	1,5	79	-20	40	43,5	435519600
EBA-2-300-150T VFD	1460	3500	2885	3,16	1,5	79	-20	50	42,8	435519610
EBA-2-350-220T	2250	3520	2910	4,3	2,2	79	-20	40	44,5	435519650
EBA-2-350-220T VFD	2250	3520	2895	4,84	2,2	79	-20	50	44,9	435519660
EBA-2-400-400T VFD	3420	4010	2925	7,4	4	84	-20	40	70,8	435519700
EBA-2-400-400T VFD	3420	4010	2935	7,64	4	84	-20	50	69,8	435519710
EBA-2-600-750T	3140	6500	2940	13,3	7,5	92	-20	40	149,3	435519850
EBA-2-600-750T VFD	3140	6500	2935	14,2	7,5	92	-20	50	145,0	435519860
EBA-2-600-1100T	5620	6500	2945	19,3	11	92	-20	40	193,1	435519800
EBA-2-600-1100T VFD	5620	6500	2950	20,35	11	92	-20	50	216,1	435519810

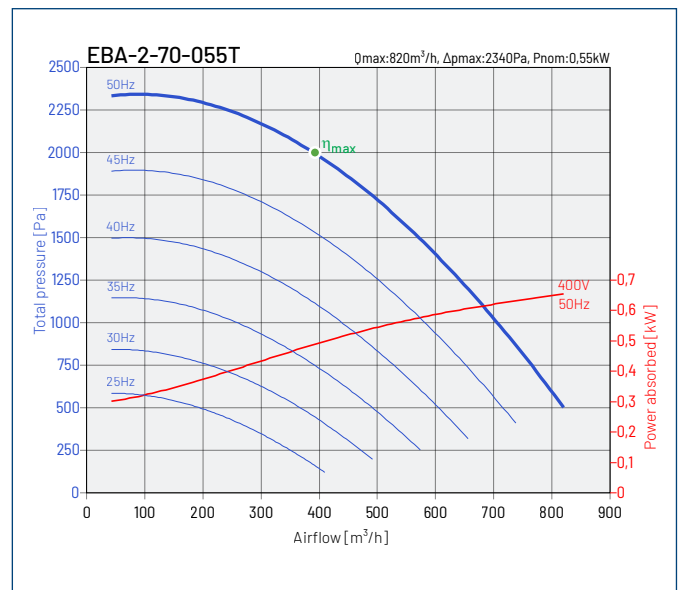
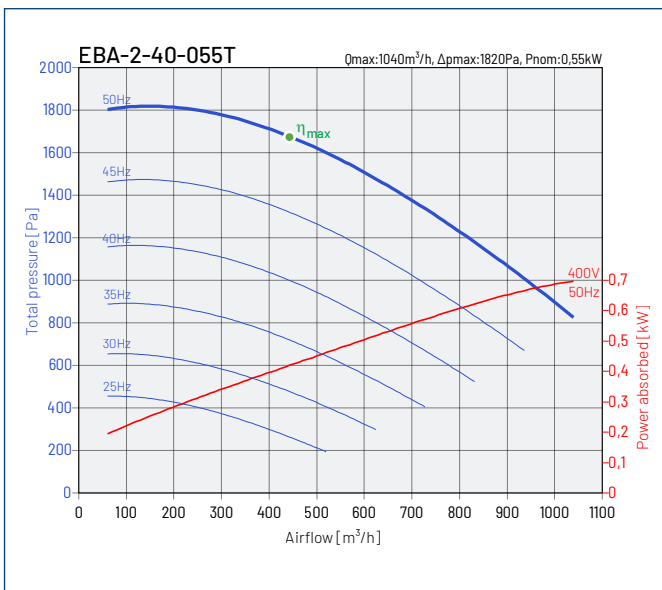
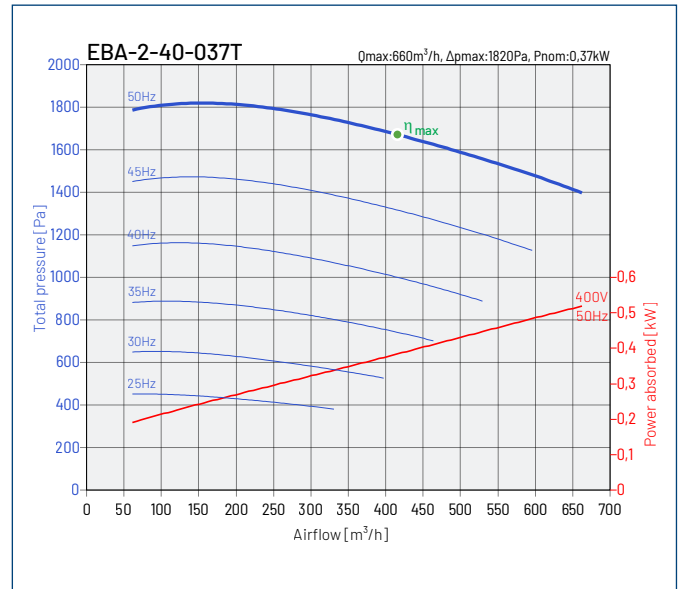
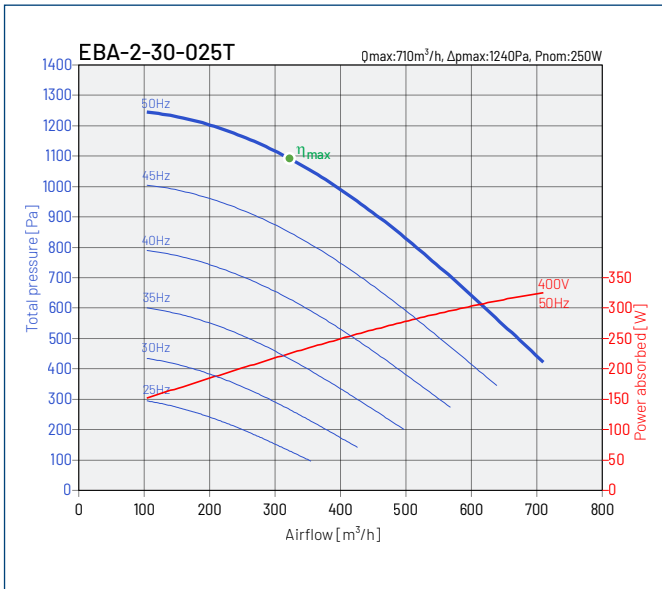
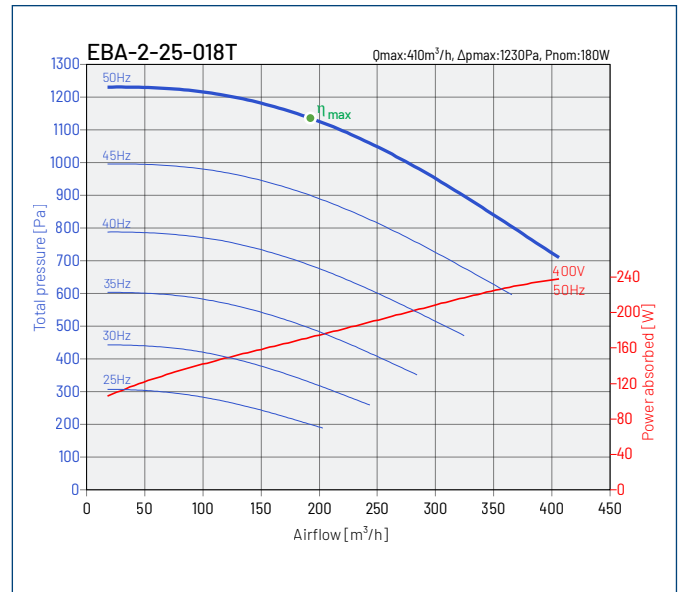
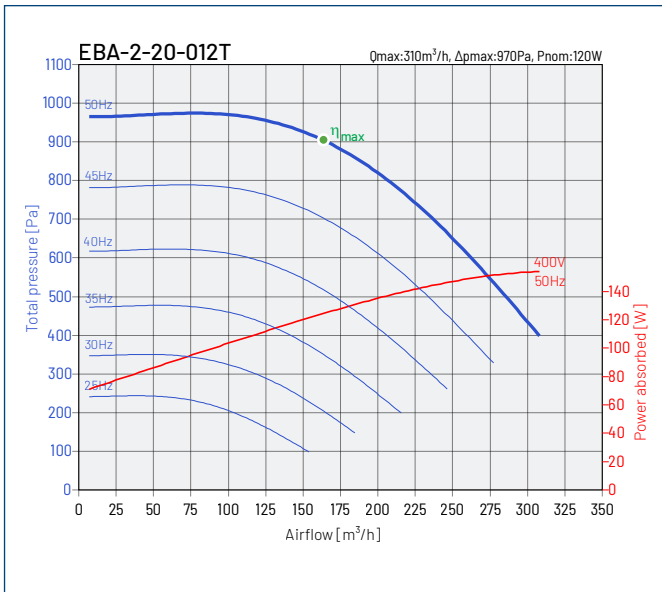
\* sound pressure measured at a distance of 1,5m from the fan at q=2/3\*Qmax.

TECHNICAL CHARACTERISTICS

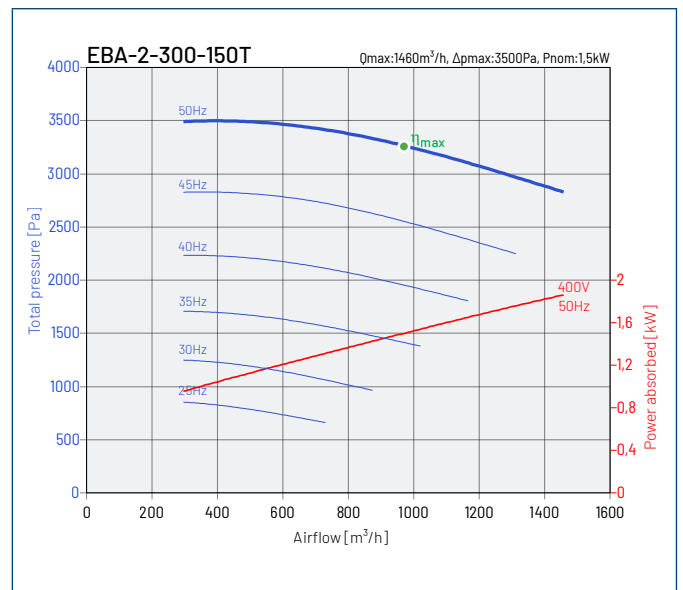
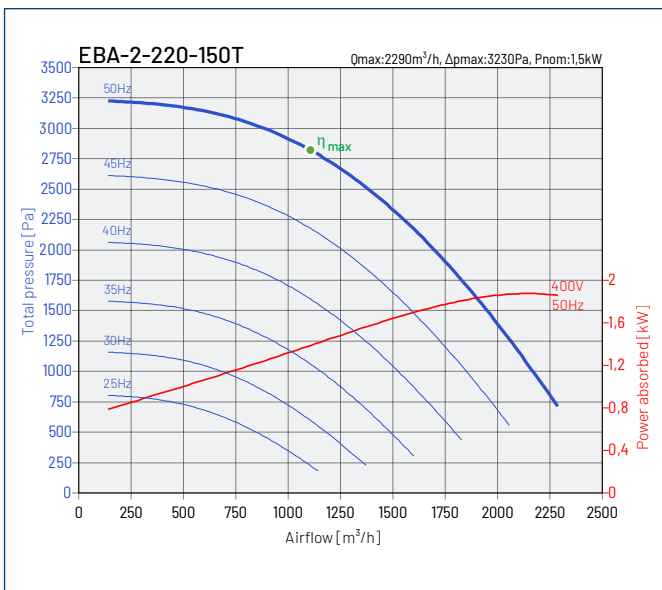
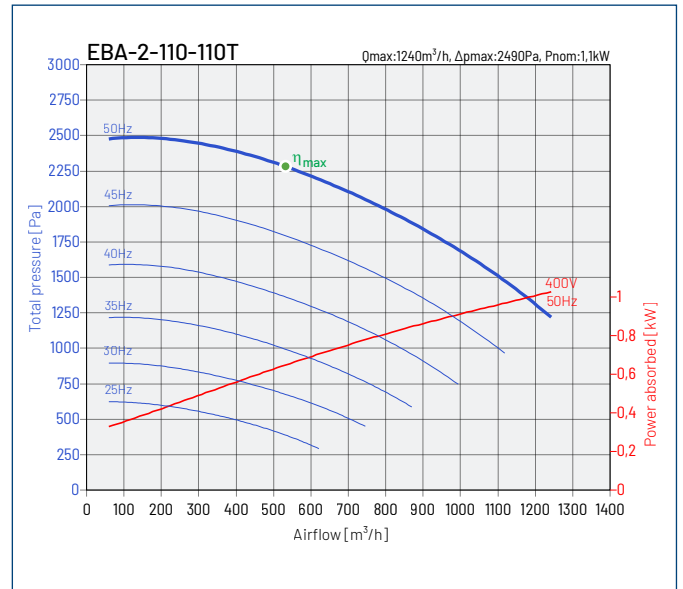
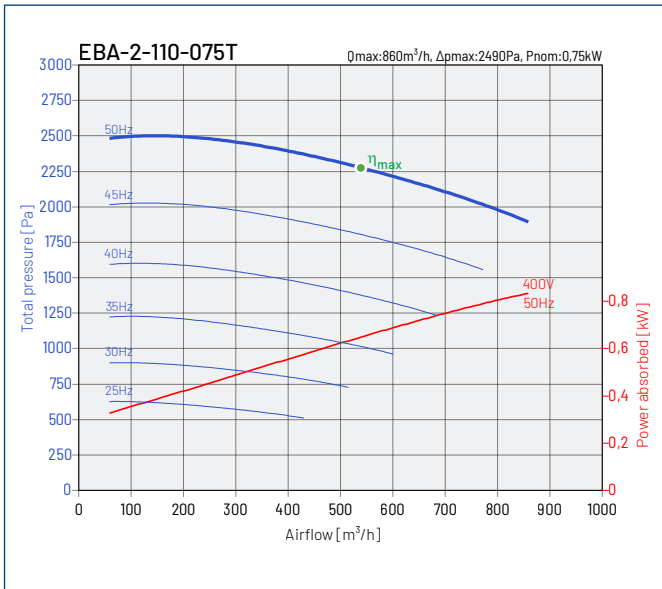
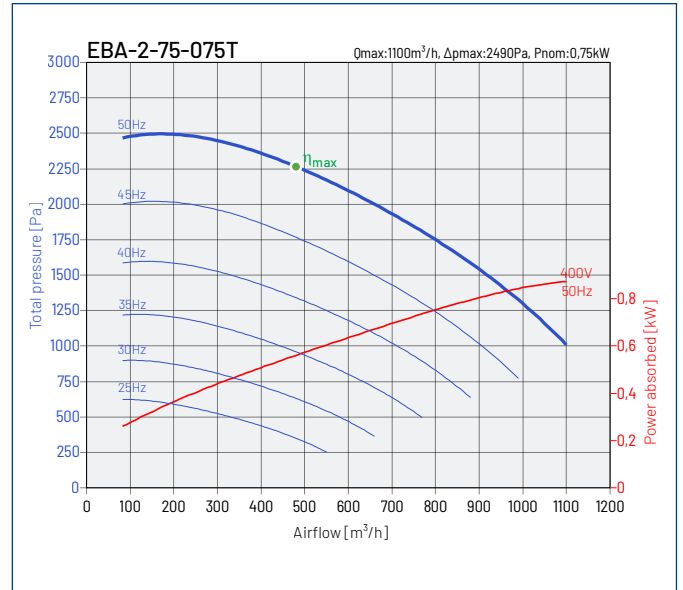
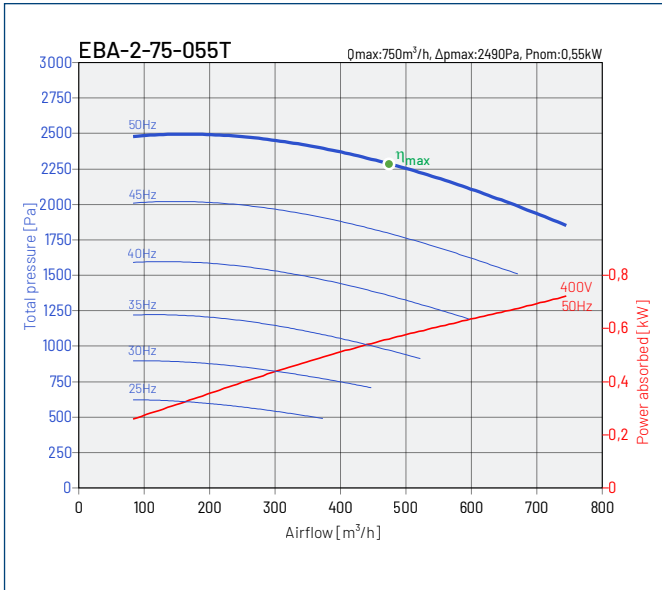
Type	airflow max	pressure max	speed	current max abs. (400V)	motor power	sound pressure level*	temperature operating min   max		weight	article number
	[m³/h]	[Pa]	[rpm]	[A]	[kW]	[dB(A)]	[°C]		[kg]	
<b>II 2D Ex h IIIC T125°C Db</b>										
EBA-2-20-012T	310	970	2750	0,4	0,12	67	-20	40	8,7	425519055
EBA-2-20-012T VFD	310	970	2800	0,48	0,12	67	-20	50	10,3	425519065
EBA-2-25-018T	410	1230	2820	0,6	0,18	70	-20	40	13,5	425519005
EBA-2-25-018T VFD	410	1230	2800	0,58	0,18	70	-20	50	14,6	425519015
EBA-2-30-025T	710	1240	2870	0,9	0,25	70	-20	40	14,9	425519105
EBA-2-30-025T VFD	710	1240	2830	0,75	0,25	70	-20	50	15,2	425519115
EBA-2-40-037T	660	1820	2870	0,95	0,37	73	-20	40	17,9	425519255
EBA-2-40-037T VFD	660	1820	2890	1,13	0,37	73	-20	50	19,4	425519265
EBA-2-40-055T	1040	1820	2850	1,3	0,55	73	-20	40	19,7	425519205
EBA-2-40-055T VFD	1040	1820	2890	1,49	0,55	73	-20	50	19,4	425519215
EBA-2-70-055T	820	2340	2850	1,3	0,55	75	-20	40	23,6	425519385
EBA-2-70-055T VFD	820	2340	2890	1,49	0,55	75	-20	50	23,3	425519395
EBA-2-75-055T	750	2490	2850	1,3	0,55	75	-20	40	24,0	425519305
EBA-2-75-055T VFD	750	2490	2890	1,49	0,55	75	-20	50	23,7	425519315
EBA-2-75-075T	1100	2490	2890	1,8	0,75	75	-20	40	25,8	435519365
EBA-2-75-075T VFD	1100	2490	2885	1,59	0,75	75	-20	50	27,3	435519375
EBA-2-110-075T	860	2490	2890	1,8	0,75	78	-20	40	25,3	435519405
EBA-2-110-075T VFD	860	2490	2885	1,59	0,75	78	-20	50	26,8	435519415
EBA-2-110-110T	1240	2490	2900	2,5	1,1	78	-20	40	27,6	435519455
EBA-2-110-110T VFD	1240	2490	2870	2,5	1,1	78	-20	50	27,8	435519465
EBA-2-220-150T VFD	2290	3230	2925	3	1,5	79	-20	40	46,4	435519505
EBA-2-220-150T VFD	2290	3230	2885	3,16	1,5	79	-20	50	45,7	435519515
EBA-2-300-150T VFD	1460	3500	2925	3	1,5	79	-20	40	43,6	435519605
EBA-2-300-150T VFD	1460	3500	2885	3,16	1,5	79	-20	50	42,9	435519615
EBA-2-350-220T	2250	3520	2910	4,3	2,2	79	-20	40	44,6	435519655
EBA-2-350-220T VFD	2250	3520	2895	4,84	2,2	79	-20	50	45,0	435519665
EBA-2-400-400T VFD	3420	4010	2925	7,4	4	84	-20	40	70,9	435519705
EBA-2-400-400T VFD	3420	4010	2935	7,64	4	84	-20	50	69,9	435519715
EBA-2-600-750T	3140	6500	2940	13,3	7,5	92	-20	40	149,4	435519855
EBA-2-600-750T VFD	3140	6500	2935	14,2	7,5	92	-20	50	145,1	435519865
EBA-2-600-1100T VFD	5620	6500	2945	19,3	11	92	-20	40	183,2	435519805
EBA-2-600-1100T VFD	5620	6500	2950	20,35	11	92	-20	50	216,2	435519815

\* sound pressure measured at a distance of 1,5m from the fan at  $q=2/3 \cdot Q_{max}$ .

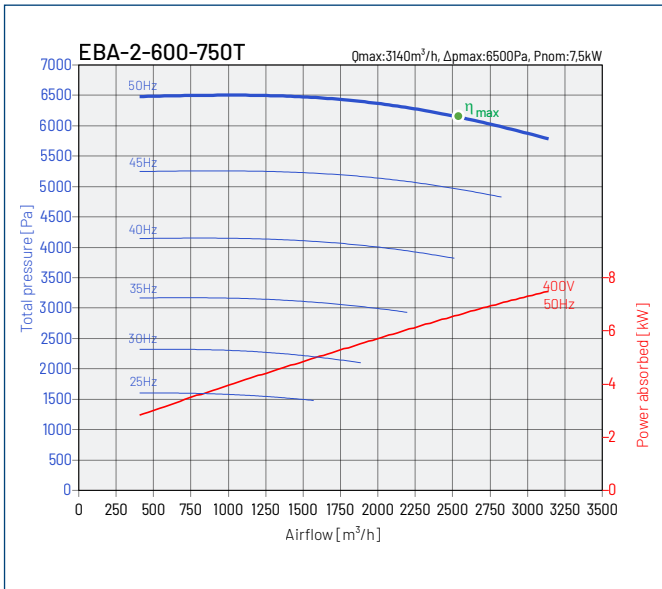
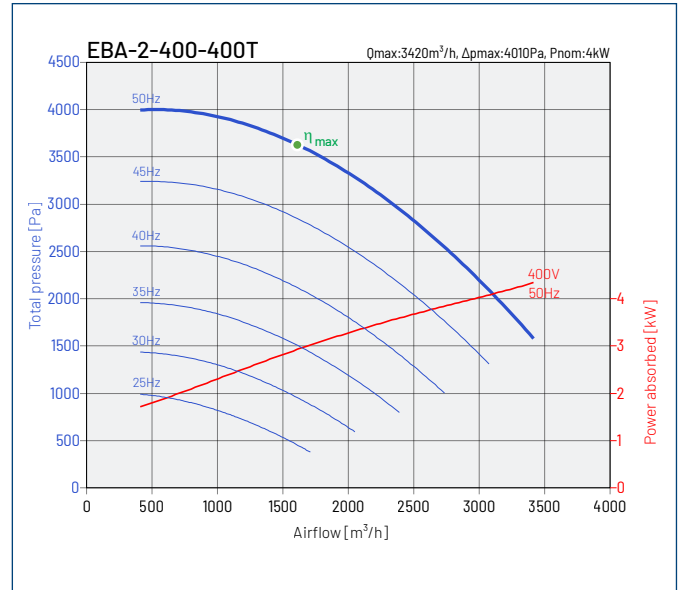
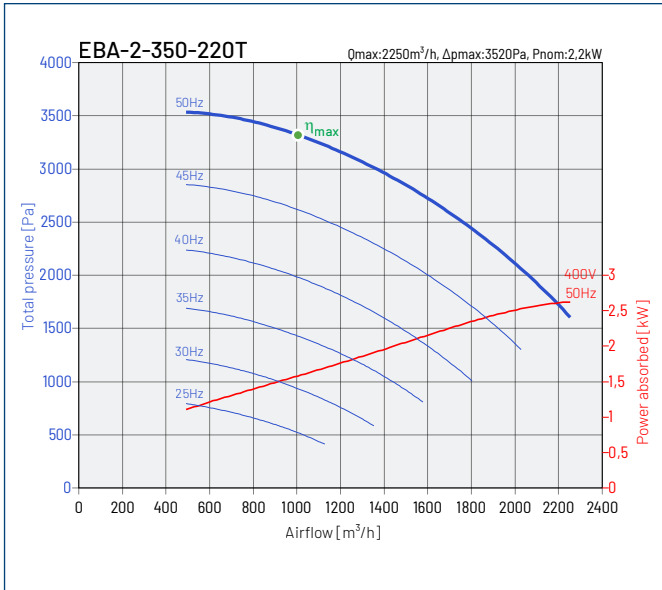
PERFORMANCE CURVES



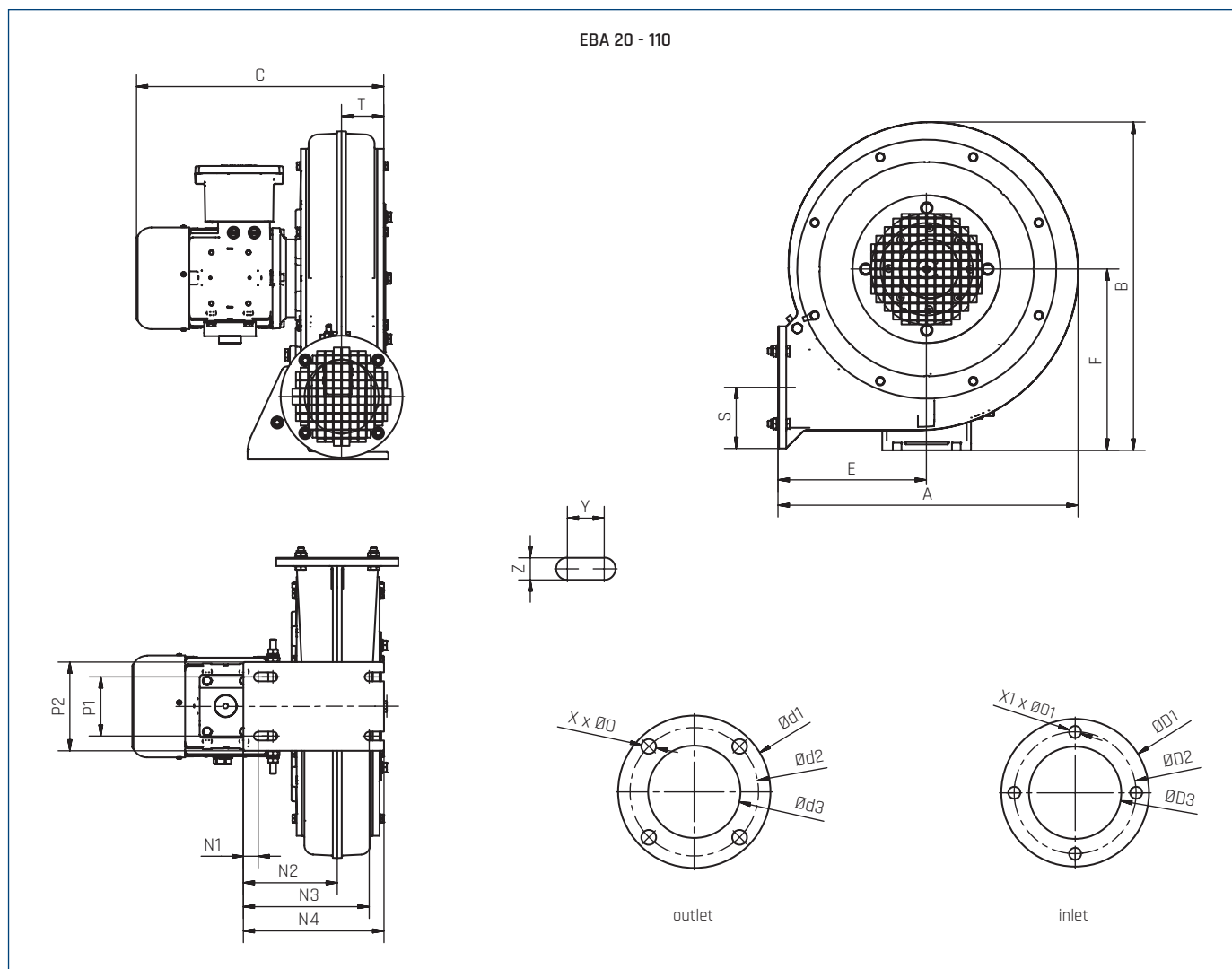
PERFORMANCE CURVES



PERFORMANCE CURVES



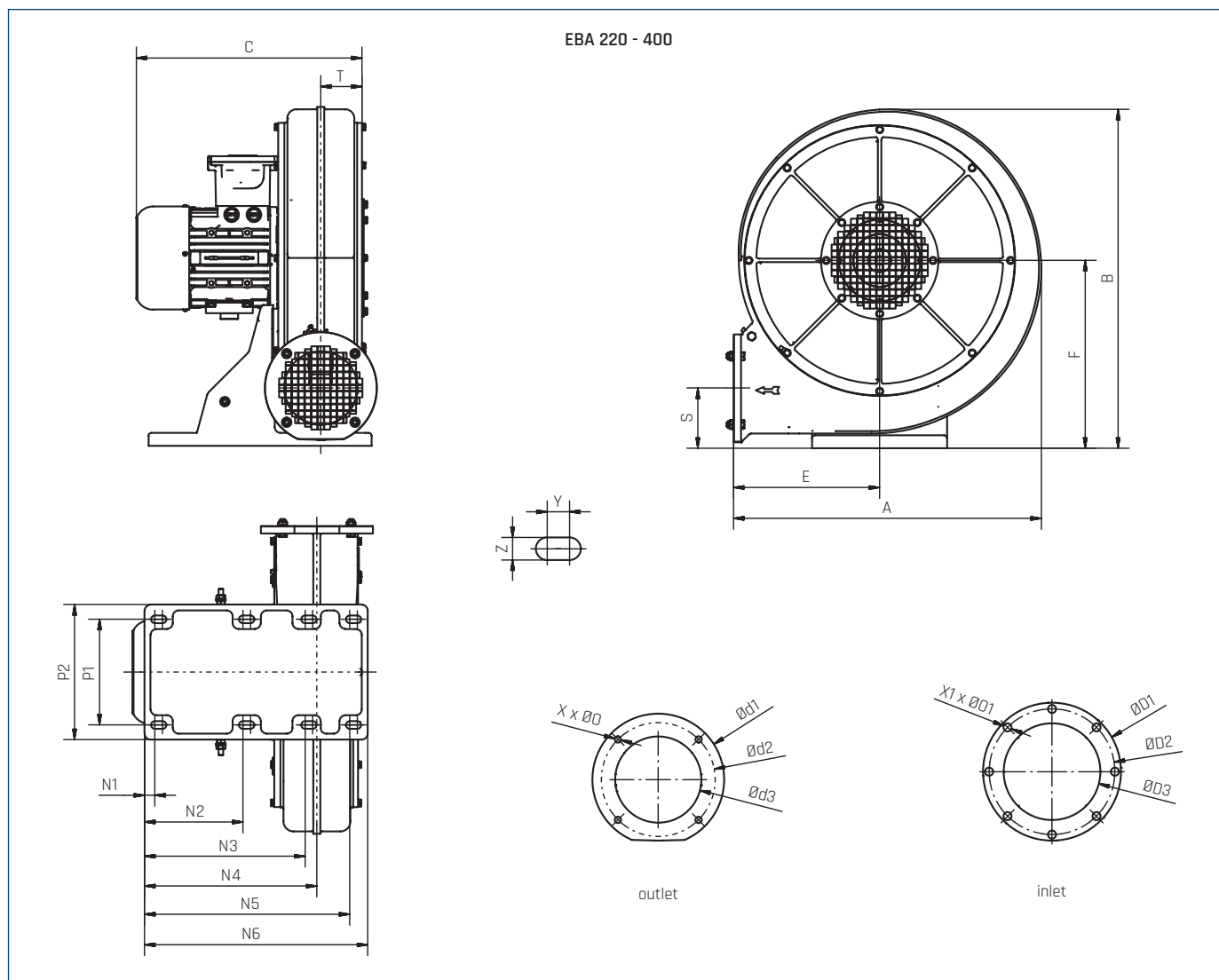
DIMENSIONS [mm]



Type	A	B	C*	Ød1	Ød2	Ød3	ØD1	ØD2	ØD3	E	F	N1	N2	N3	N4	Ø0	Ø1	P1	P2	S	T	Z	X	X1	Y
EBA 20	327	333	202	115	95	65	165	139	73	160	174	30	107	158	180	10	M8	80	120	59	62	12	4	4	19
EBA 25	362	374	282	115	95	65	165	139	107	181	208	20	116	170	190	10	M8	80	120	93	41	12	4	4	20
EBA 30	362	374	302	160	135	100	165	139	106	181	208	20	126	170	190	11	M8	80	120	93	51	12	4	4	20
EBA 40	406	444	334	165	139	100	200	165	125	201	245	20	127	170	190	9	M8	80	120	83	57	12	4	4	20
EBA 70	452	515	331	165	139	100	165	139	109	211	290	47	156	215	240	9	M8	140	200	91	56	13	4	4	17
EBA 75	452	515	331	165	139	100	165	139	109	211	290	47	156	215	240	9	M8	140	200	91	56	13	4	4	17
EBA 110	452	515	362	165	139	100	200	182	138	211	290	47	156	215	240	9	M8	140	200	91	56	13	4	4	17

\* dimension C depends on the motor used

## DIMENSIONS [mm]

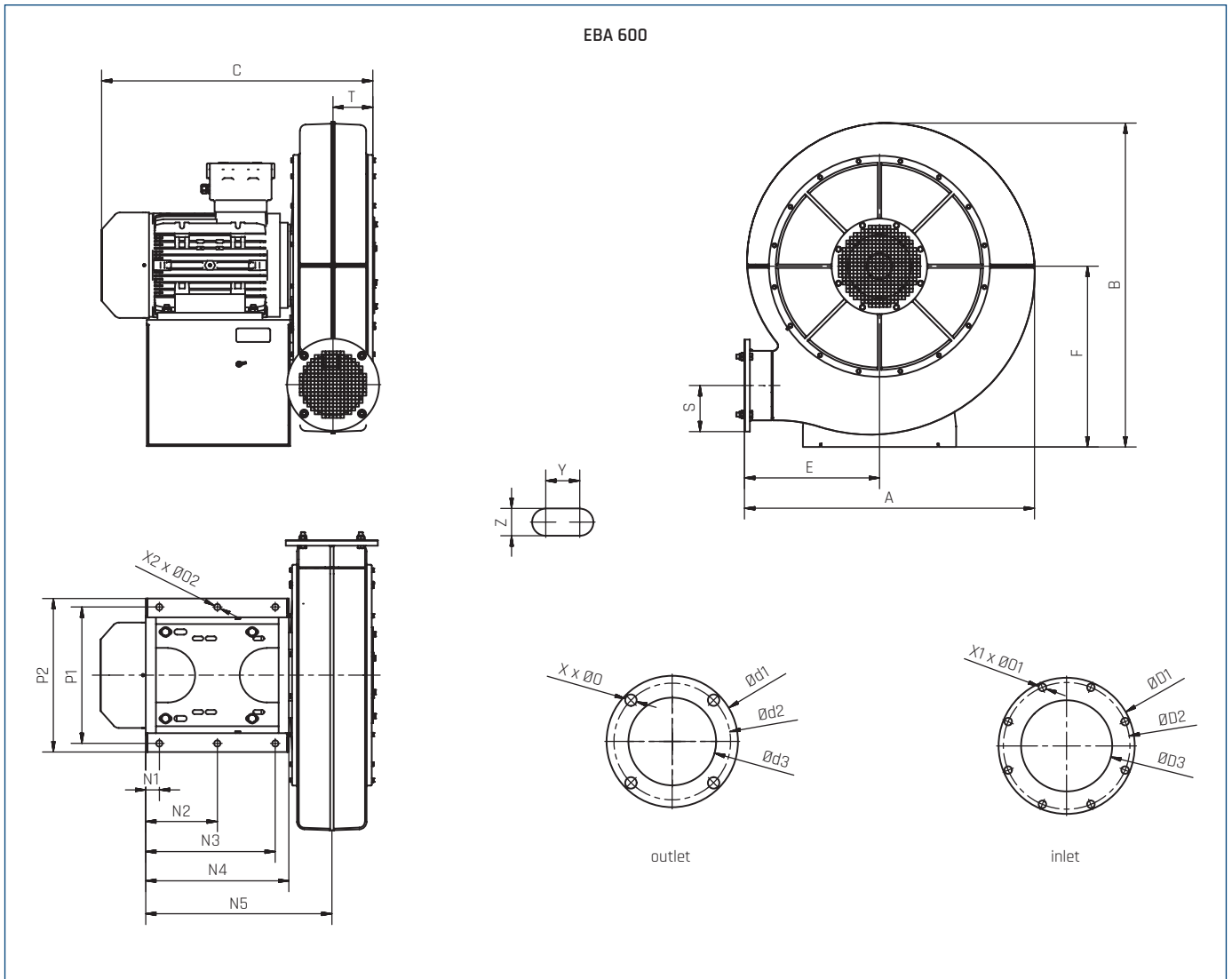


Type	A	B	C*	Ød1	Ød2	Ød3	Ø01	Ø02	Ø03	E	F	N1	N2	N3	N4	N5	N6	Ø0	Ø1	P1	P2	S	T	Z	X	X1	Y
EBA 220	571	648	410	230	200	160	200	182	138	271	368	18	168	274	294	350	380	9	M8	180	230	135	83	13	4	4	13
EBA 300	524	577	384	191	165	125	200	182	140	249	320	18	168	274	294	350	380	9	M6	180	230	103	70	13	4	8	13
EBA 350	524	577	384	191	165	125	200	182	140	249	320	18	168	274	294	350	380	9	M6	180	230	103	70	13	4	8	13
EBA 400	631	705	456	234	200	160	234	200	160	296	400	18	168	274	294	302	380	11	M6	180	230	117	85	13	8	8	13

\* dimension C depends on the motor used



DIMENSIONS [mm]



Type	A	B	C*	Ød1	Ød2	Ød3	Ø01	Ø02	Ø03	E	F	N1	N2	N3	N4	N5	Ø0	01	P1	P2	S	T	X	X1	X2
EBA 600 5,5kW	851	922	611	270	240	180	280	260	187	396	502	40	210	380	420	546	13	M8	400	450	135	117	4	8	6
EBA 600 11kW	851	950	796	270	240	180	280	260	187	396	530	40	210	380	420	546	13	M8	400	450	135	117	4	8	6

\* dimension C depends on the motor used

## ASSEMBLY ACCESSORIES



1	Outlet			Inlet		
	2	3	4	5	6	7
Fan	Outlet connection	Welding flange	Anti-vibration connector	Suction connection	Welding flange	Anti-vibration connector
EBA 20	45510450	45515450	42519935-01	45510440-04	45515460	42519930-02
EBA 25	45510450	45515450	42519935-01	45510440-04	45515460	42519930-02
EBA 30	45510470	45516578	42519936-01	45510440-04	45515460	42519930-02
EBA 40	46515040-01	45515500	42519937-03	46515053	45515440	42519930-03
EBA 70	46515040-01	45515500	42519937-03	46515040	45515460	42519930-02
EBA 75	46515040-01	45515500	42519937-03	46515040	45515460	42519930-02
EBA 110	46515040-01	45515500	42519937-03	46515050	45515510	42519931-01
EBA 220	46515065-01	45516587	42519939-01	46515050	45515510	42519931-01
EBA 300	46515060-10	45516580	42519940-02	46515050	45515510	42519932-02
EBA 350	46515060-10	45516580	42519940-02	46515050	45515510	42519932-02
EBA 400	46515065-01	45516587	42519941-03	46515052	45516588	42519933-02
EBA 600	46515065-13	45516585	425199438-01	46515051	45516586	42519934-01



**ELECTRICAL ACCESSORIES**

Fan	Service switch	ATEX safety switch	Inverter	UEK-230
EBA-2-20-012T	R-S 3-F + SP, 3B, 10A	R-B 3-F ATEX + SP, 10A		
EBA-2-20-012T VFD	R-S 3-F + SP, 3B, 10A	R-B 3-F ATEX + SP, 10A	L 0,4 kW	U-EK230E
EBA-2-25-018T	R-S 3-F + SP, 3B, 10A	R-B 3-F ATEX + SP, 10A		
EBA-2-25-018T VFD	R-S 3-F + SP, 3B, 10A	R-B 3-F ATEX + SP, 10A	L 0,4 kW	U-EK230E
EBA-2-30-025T	R-S 3-F + SP, 3B, 10A	R-B 3-F ATEX + SP, 10A		
EBA-2-30-025T VFD	R-S 3-F + SP, 3B, 10A	R-B 3-F ATEX + SP, 10A	L 0,4 kW	U-EK230E
EBA-2-40-037T	R-S 3-F + SP, 3B, 10A	R-B 3-F ATEX + SP, 10A		
EBA-2-40-037T VFD	R-S 3-F + SP, 3B, 10A	R-B 3-F ATEX + SP, 10A	L 0,75 kW	U-EK230E
EBA-2-40-055T	R-S 3-F + SP, 3B, 10A	R-B 3-F ATEX + SP, 10A		
EBA-2-40-055T VFD	R-S 3-F + SP, 3B, 10A	R-B 3-F ATEX + SP, 10A	L 0,75 kW	U-EK230E
EBA-2-70-055T	R-S 3-F + SP, 3B, 10A	R-B 3-F ATEX + SP, 10A		
EBA-2-70-055T VFD	R-S 3-F + SP, 3B, 10A	R-B 3-F ATEX + SP, 10A	L 0,75 kW	U-EK230E
EBA-2-75-055T	R-S 3-F + SP, 3B, 10A	R-B 3-F ATEX + SP, 10A		
EBA-2-75-055T VFD	R-S 3-F + SP, 3B, 10A	R-B 3-F ATEX + SP, 10A	L 0,75 kW	U-EK230E
EBA-2-75-075T	R-S 3-F + SP, 3B, 10A	R-B 3-F ATEX + SP, 10A		
EBA-2-75-075T VFD	R-S 3-F + SP, 3B, 10A	R-B 3-F ATEX + SP, 10A	L 0,75 kW	U-EK230E
EBA-2-110-075T	R-S 3-F + SP, 3B, 10A	R-B 3-F ATEX + SP, 10A		
EBA-2-110-075T VFD	R-S 3-F + SP, 3B, 10A	R-B 3-F ATEX + SP, 10A	L 0,75 kW	U-EK230E
EBA-2-110-110T	R-S 3-F + SP, 3B, 10A	R-B 3-F ATEX + SP, 10A		
EBA-2-110-110T VFD	R-S 3-F + SP, 3B, 10A	R-B 3-F ATEX + SP, 10A	L 1,5 kW	U-EK230E
EBA-2-220-150T	R-S 3-F + SP, 3B, 10A	R-B 3-F ATEX + SP, 10A		
EBA-2-220-150T VFD	R-S 3-F + SP, 3B, 10A	R-B 3-F ATEX + SP, 10A	L 1,5 kW	U-EK230E
EBA-2-300-150T	R-S 3-F + SP, 3B, 10A	R-B 3-F ATEX + SP, 10A		
EBA-2-300-150T VFD	R-S 3-F + SP, 3B, 10A	R-B 3-F ATEX + SP, 10A	L 1,5 kW	U-EK230E
EBA-2-350-220T	R-S 3-F + SP, 3B, 10A	R-B 3-F ATEX + SP, 10A		
EBA-2-350-220T VFD	R-S 3-F + SP, 3B, 10A	R-B 3-F ATEX + SP, 10A	L 2,2kW	U-EK230E
EBA-2-400-400T	R-S 3-F + SP, 3B, 10A	R-B 3-F ATEX + SP, 10A		
EBA-2-400-400T VFD	R-S 3-F + SP, 3B, 10A	R-B 3-F ATEX + SP, 10A	L 4,0 kW	U-EK230E
EBA-2-600-750T	R-S 3-F + SP, 3B, 16A	R-B 3-F ATEX + SP, 20A		
EBA-2-600-750T VFD	R-S 3-F + SP, 3B, 16A	R-B 3-F ATEX + SP, 20A	L 7,5kW	U-EK230E
EBA-2-600-1100T	R-S 3-F + SP, 3B, 25A	R-B 3-F ATEX + SP, 20A		
EBA-2-600-1100T VFD	R-S 3-F + SP, 3B, 25A	R-B 3-F ATEX + SP, 20A	L 11,0kW	U-EK230E

**Article numbers**

R-S 3-F + SP, 3B, 10A	91040908-01	R-S 3-F + SP, 3B, 16A	91040908	R-S 3-F + SP, 3B, 25A	91040910	R-B 3-F ATEX + SP, 10A	44025761	R-B 3-F ATEX + SP, 20A	44025762
L 0,4 kW	40016450	L 0,75 kW	40016451	L 1,5 kW	40016452	L 2,2kW	40016453	L 4,0 kW	40016454
L 7,5kW	40016456	L 11,0kW	40016457	U-EK230E	91040858				

