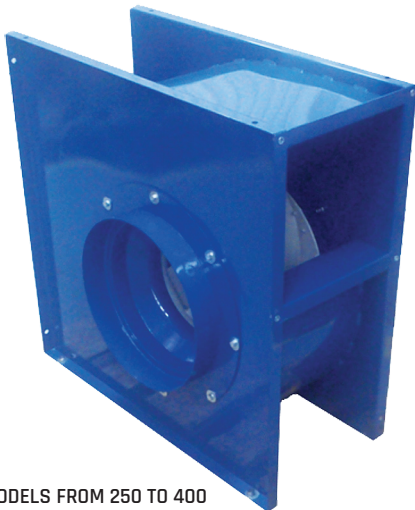




MODEL 425 AND LARGER



MODELS FROM 250 TO 400



APPLICATION

Fan designed for transporting non-aggressive and non-explosive gases without contamination. Typical applications:

- air pressing in technological processes,
- cooling systems,
- air drying systems.

CONSTRUCTION

- medium-pressure radial fan with direct drive,
- the rotor is made of steel sheet with blades inclined backwards, painted with primer paint, dynamically balanced according to ISO 1940-1,
- rectangular housing made of steel sheet (models 250 to 400), spiral housing made of steel sheet (425 models and larger),
- fan painted blue RAL 5010 (corrosivity category C3),
- maximum temperature of the transported medium is 80°C,
- ambient temperature of the motor from -20°C to +40°C,
- figure LG90 (models 250 to 355), figure LG270 (models 400 and larger).

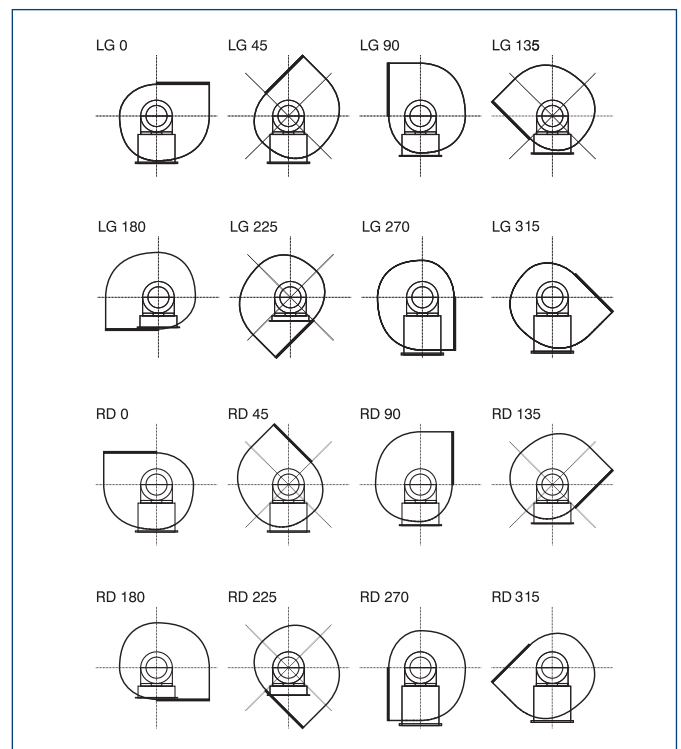
MOTOR

- asynchronous, three-phase 230V/400V 50Hz or 400/690V 50Hz,
- degree of protection IP55,
- insulation class F,
- three-phase motors are adapted for frequency converter.

SPECIAL EXECUTIONS

- optional configuration LG/RD,
- color other than standard,
- painting in higher category of corrosivity,
- housing and support made of galvanized steel sheet,
- housing and support made of stainless steel 1.4301,
- housing and support made of acid-proof steel 1.4404,
- motor with voltage and frequency of power different than standard,
- motor with other than standard degree of protection,
- motor equipped with sensors or additional cooling,
- sealing between the housing and the motor,
- maximum temperature of the transported medium above 80°C,
- ambient temperature range below -20°C and above +40°C,
- belt drive,
- ATEX version.

FIGURES



TECHNICAL CHARACTERISTICS

Type	airflow max	pressure max	max absorbed power	speed	max absorbed current		voltage	sound pressure level*	weight	ErP	article number
	[m³/h]	[Pa]	[kW]	[r.p.m.]	[A]		[V]	[dB(A)]	[kg]		
GMB-250-037T	1550	880	0,37	2870	1,65	0,95	230/400	61	25	2015	43552500
GMB-265-055T	1930	920	0,55	2790	2,35	1,35	230/400	62	31	2015	42552510
GMB-280-075T	2160	1100	0,75	2890	2,95	1,7	230/400	72	35	2015	43552520
GMB-315-110T	2820	1460	1,1	2890	4,3	2,5	230/400	73	39	2015	43552530
GMB-355-220T	4600	1810	2,2	2895	7,9	4,6	230/400	75	63	2015	43552540
GMB-400-300T	6650	2400	3	2880	11	6,3	230/400	77	73	2015	43552550
GMB-425-400T	8600	2600	4	2895	7,2	4,2	400/690	76	120	2015	43552560
GMB-450-550T	9300	2900	5,5	2890	9,8	5,7	400/690	78	131	2015	43552570
GMB-475-750T	12500	3400	7,5	2930	13,7	7,9	400/690	77	177	2015	43552580
GMB-500-1100T	13350	3750	11	2900	19,1	11,1	400/690	81	185	2015	43552590

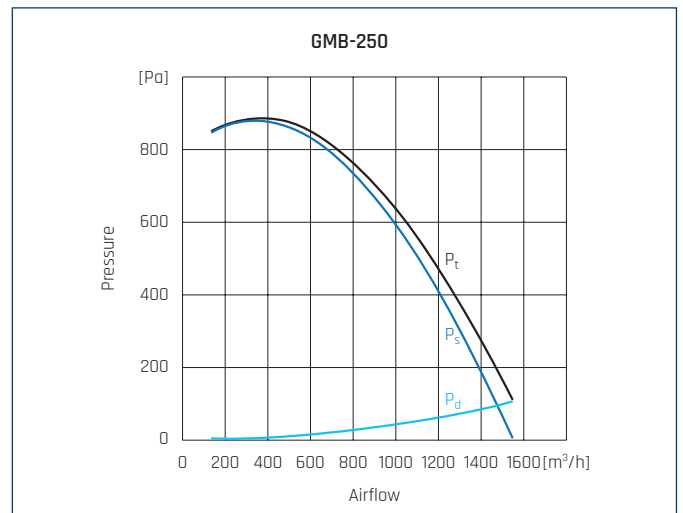
* sound pressure measured at a distance of 1,5m from the fan at $q=2/3 \cdot q_{max}$.

PERFORMANCE CURVES

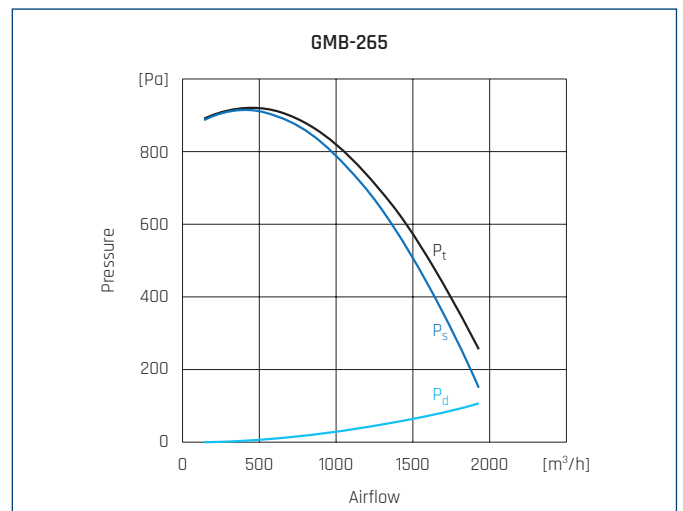
- p_t - total pressure
- p_s - static pressure
- p_d - dynamic pressure

- MC Measurement category
- EC Efficiency category
- VSD Speed control: supplied with the fan
- SR Specific ratio
- η [%] Efficiency
- N Efficiency grade
- [kW] Absorbed power
- [m³/h] Airflow
- [Pa] Static pressure/total
- [RPM] Speed

Based on Commission Regulation (EU) No 327/2011 of 30 March 2011

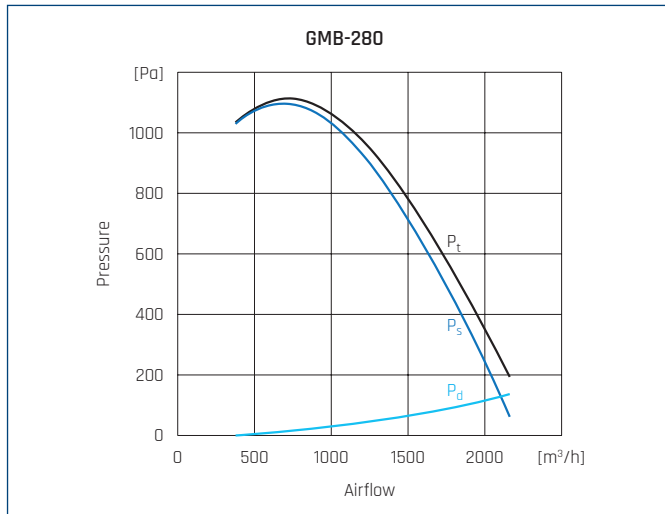


MC	EC	VSD	SR	η [%]	N	[kW]	[m³/h]	[Pa]	[RPM]
B	Total	No	1	48,3	71,8	0,32	902	715	2930

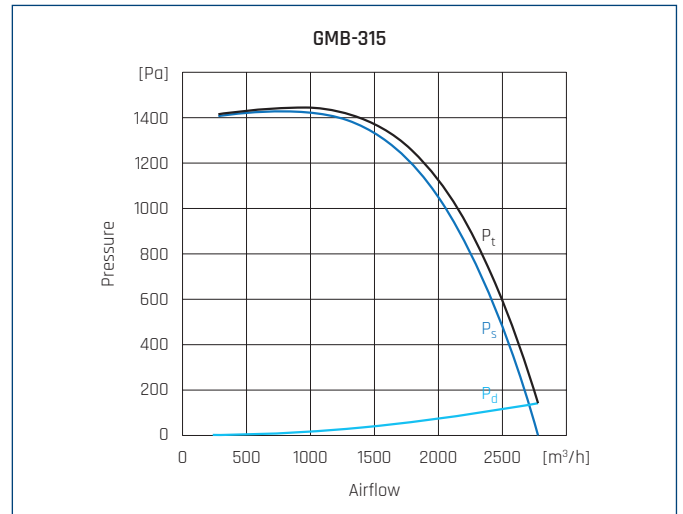


MC	EC	VSD	SR	η [%]	N	[kW]	[m³/h]	[Pa]	[RPM]
B	Total	No	1	50,1	67,2	0,47	1 256	722	2900

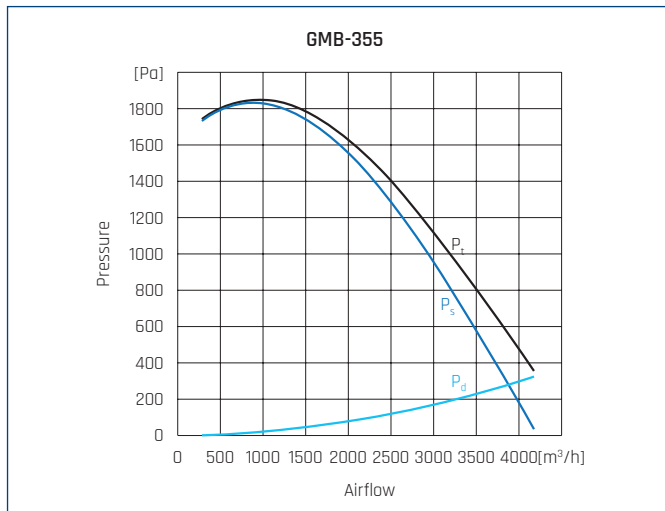
PERFORMANCE CURVES



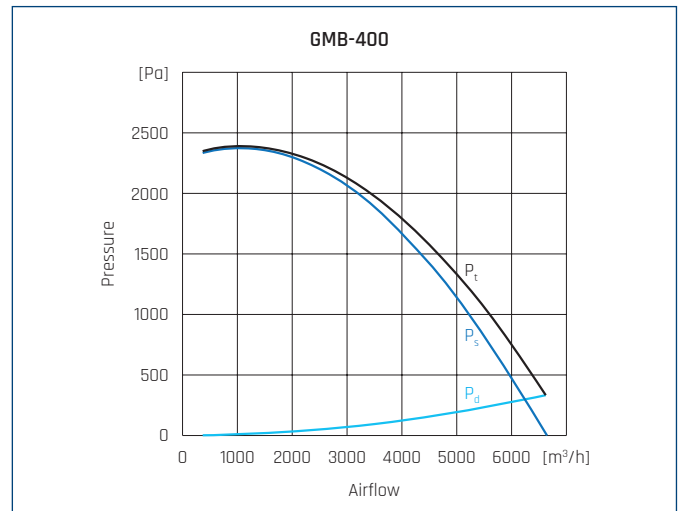
MC	EC	VSD	SR	η [%]	N	[kW]	[m³/h]	[Pa]	[RPM]
B	Total	No	1	61,6	74,6	0,6	1334	955	2840



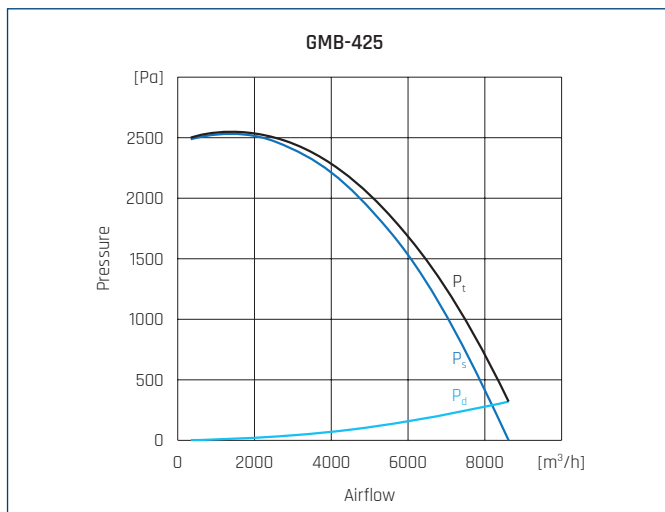
MC	EC	VSD	SR	η [%]	N	[kW]	[m³/h]	[Pa]	[RPM]
B	Total	No	1	52,6	85,6	0,81	1601	1358	2940



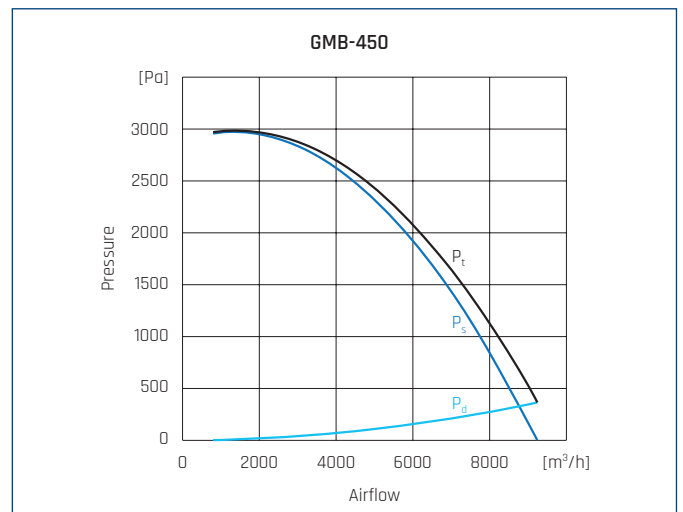
MC	EC	VSD	SR	η [%]	N	[kW]	[m³/h]	[Pa]	[RPM]
B	Total	No	1	55,8	67,0	1,67	2 340	1 510	2945



MC	EC	VSD	SR	η [%]	N	[kW]	[m³/h]	[Pa]	[RPM]
B	Total	No	1	69,3	74,9	2,91	3924	1847	2902

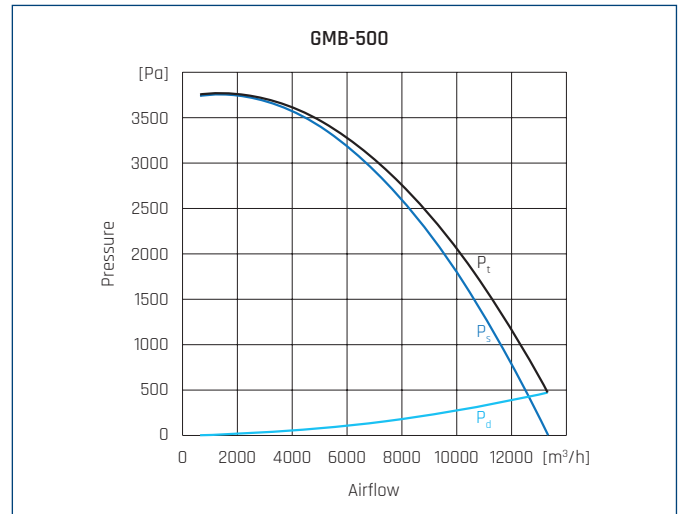
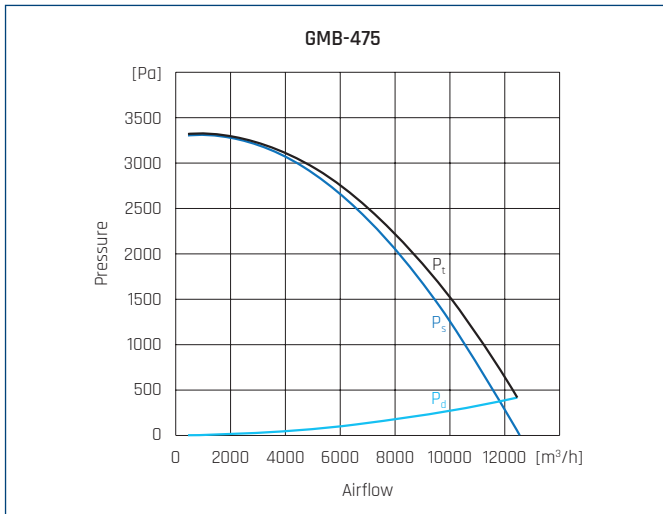


MC	EC	VSD	SR	η [%]	N	[kW]	[m³/h]	[Pa]	[RPM]
B	Total	No	1	60,0	73,5	4,19	5 078	2 066	2890



MC	EC	VSD	SR	η [%]	N	[kW]	[m³/h]	[Pa]	[RPM]
B	Total	No	1	60,9	73,2	5,04	5 152	2 473	2930

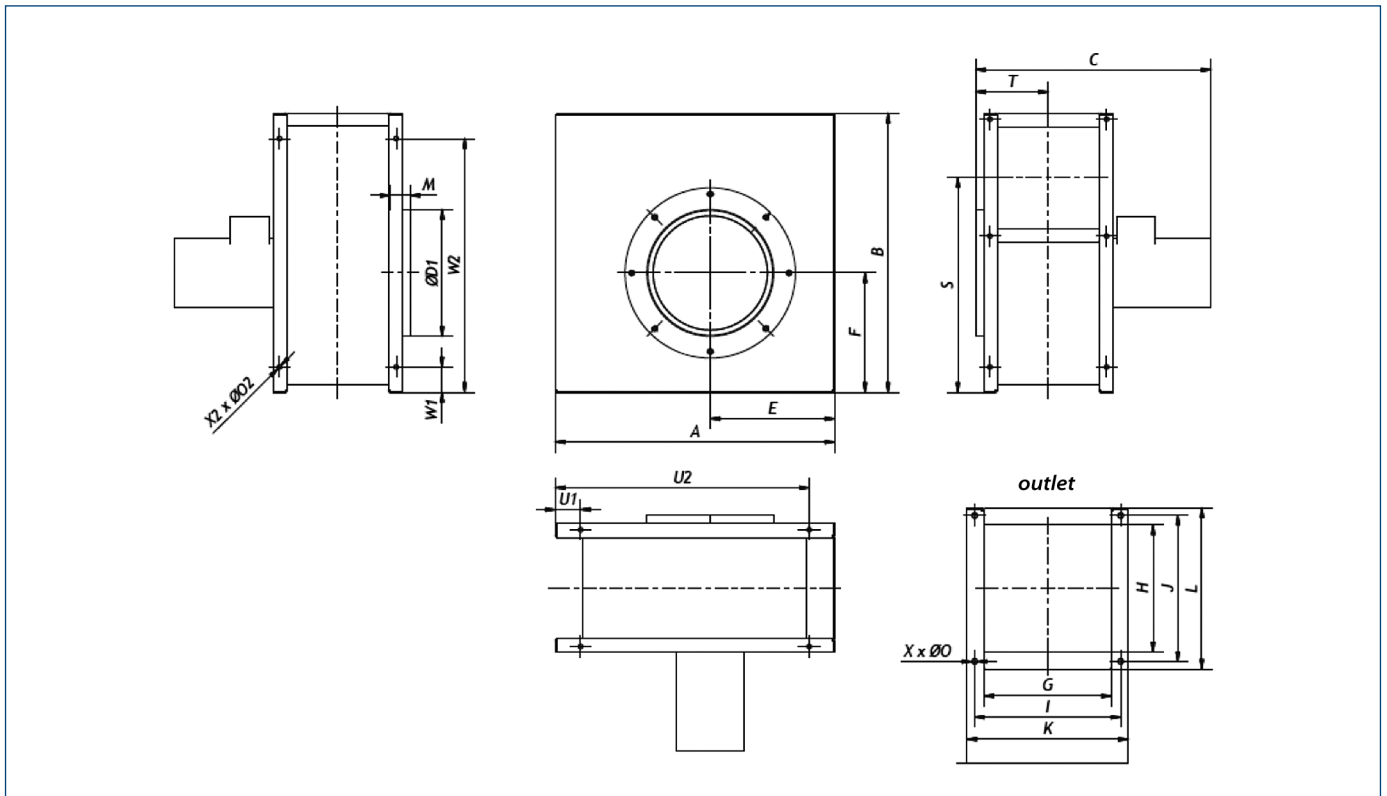
PERFORMANCE CURVES



MC	EC	VSD	SR	η [%]	N	[kW]	[m³/h]	[Pa]	[RPM]
B	Total	No	1	62,6	71,4	7,32	7 081	2 604	2945

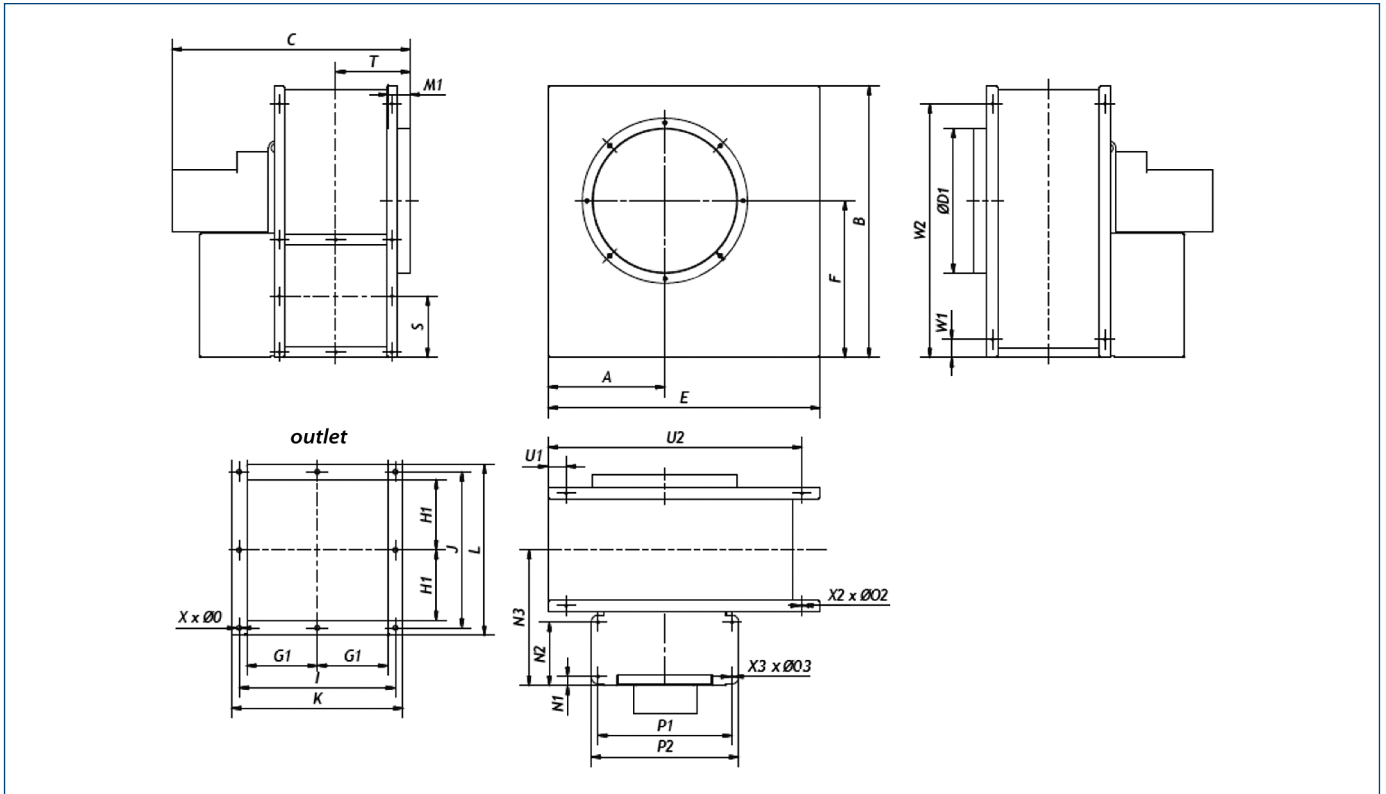
MC	EC	VSD	SR	η [%]	N	[kW]	[m³/h]	[Pa]	[RPM]
B	Total	No	1	63,8	73,2	8,65	7 231	3 125	2950

DIMENSIONS [mm]



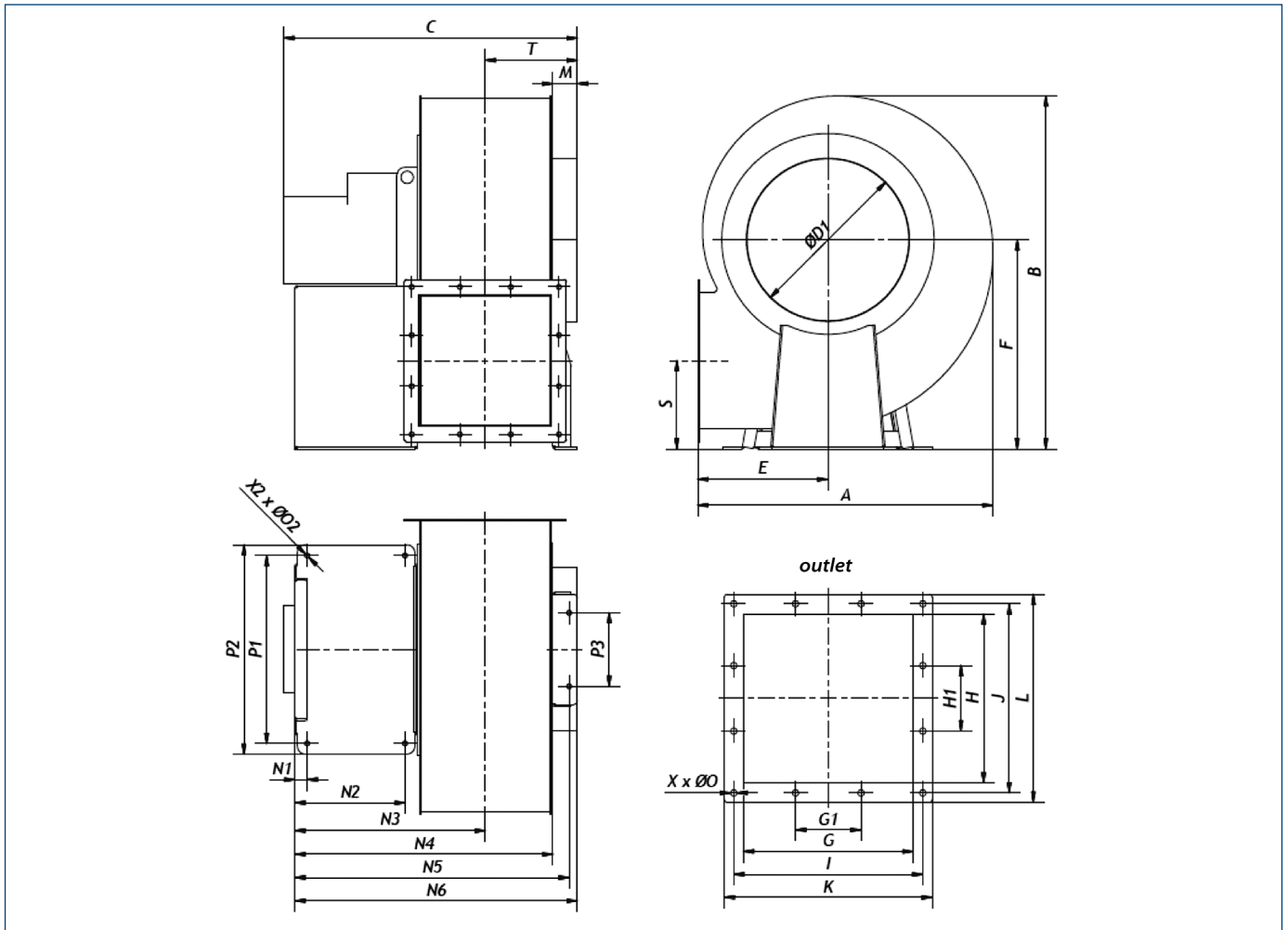
Type	A	B	C	ØD1	E	F	G	H	I	J	K	L	M1	S	T	U1	U2	W1	W2	X	Ø0	X2	Ø02
GMB-250-037T LG90	500	500	422	225	225	214	180	180	210	210	234	234	40	383	133	50	450	50	450	4	9	14	9
GMB-265-055T LG90	550	550	464	250	245	235	200	200	230	230	254	254	40	423	143	50	500	50	500	4	9	14	9
GMB-280-075T LG90	550	550	486	250	245	235	200	200	230	230	254	254	40	423	143	50	500	50	500	4	9	14	9
GMB-315-110T LG90	600	600	522	315	268	251	224	224	255	255	278	278	51	461	166	50	550	50	550	4	9	14	9
GMB-355-220T LG90	670	670	615	315	293	284	250	250	280	280	304	304	51	518	179	50	620	50	620	4	9	14	9

DIMENSIONS [mm]



Type	A	B	C	ØD1	E	F	G1	H1	I	J	K	L	M	S	T	U1	U2	W1	W2	X	Ø0	X2	Ø02	X3	Ø03
GMB-400-300T LG270	750	750	656	400	322	433	140	140	310	310	340	340	60	170	206	50	700	50	700	8	9	14	9	4	10

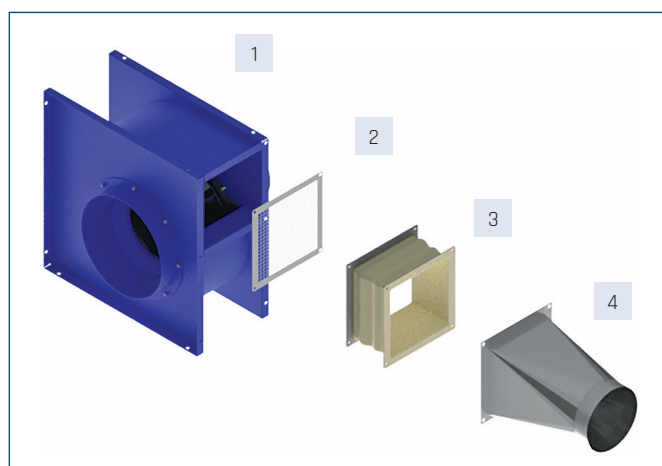
DIMENSIONS [mm]



Type	A	B	C	ØD1	E	F	G	H	G1	H1	I	J	K	L	M	S	T	P1	P2	N1	N2	N3	N4	N5	N6	X	Ø0	X2	Ø02
GMB-425-400T LG270	723	864	719	400	318	512	324	322	125	125	361	361	397	397	60	216	226	460	513	30	270	466	532	672	692	12	12	6	12
GMB-450-550T LG270	723	864	719	400	318	512	324	322	125	125	361	361	397	397	60	216	226	460	513	30	270	466	532	672	692	12	12	6	12
GMB-475-750T LG270	802	962	870	500	348	566	365	363	125	125	401	401	437	437	60	233	246	500	545	40	360	586	772	812	832	12	12	6	12
GMB-500-1100T LG270	802	962	886	500	348	566	365	363	125	125	401	401	437	437	60	233	246	500	545	40	360	586	772	812	832	12	12	6	12

ACCESSORY ASSEMBLY

1	2	3	4
Type	protective mesh	anti-vibration connector	reduction
GMB-250	40541710	40541510	46516671 (d=160)
GMB-265	40541720	40541520	46516672 (d=200)
GMB-280	40541720	40541520	46516672 (d=200)
GMB-315	40541730	40541530	46516673 (d=200)
GMB-355	40541740	40541540	46516674 (d=250) or 46516678 (d=300)
GMB-400	40541750	40541550	46516675 (d=250)
GMB-425	40541760	40541560	46516676 (d=315) or 46516679 (d=400)
GMB-450	40541760	40541560	46516676 (d=315) or 46516679 (d=400)
GMB-475	40541770	40541570	46516677 (d=400)
GMB-500	40541770	40541570	46516677 (d=400)



ELECTRICAL ACCESSORIES

Type	inverter	service switch
GMB-250-037T	L 0,4 kW	R-S 3-F + SP, 10A
GMB-265-055T	L 0,75 kW	R-S 3-F + SP, 10A
GMB-280-075T	L 0,75 kW	R-S 3-F + SP, 10A
GMB-315-110T	L 1,5 kW	R-S 3-F + SP, 10A
GMB-355-220T	L 2,2 kW	R-S 3-F + SP, 10A
GMB-400-300T	L 4,0 kW	R-S 3-F + SP, 10A
GMB-425-400T	L 4,0 kW	R-S 3-F + SP, 10A
GMB-450-550T	L 5,5 kW	R-S 3-F + SP, 16A
GMB-475-750T	L 7,5 kW	R-S 3-F + SP, 16A
GMB-500-1100T	L 11,0 kW	R-S 3-F + SP, 25A

Article numbers

L 0,4 kW	40016302	L 7,5 kW	40016372
L 0,75 kW	40016312	L 11,0 kW	40016382
L 1,5 kW	40016322	R-S 3-F + SP, 10A	91040908-01
L 2,2 kW	40016332	R-S 3-F + SP, 16A	91040908
L 4,0 kW	40016352	R-S 3-F + SP, 25A	91040910
L 5,5 kW	40016362		

